

Leveling Mount/Mounting Plates

Leveling Mount



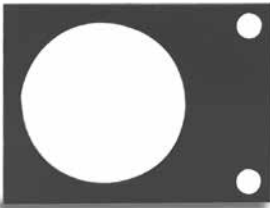
STANDARD FEATURES

- Designed for use with some floor scales or machinery platforms.
- Can be used as a replacement foot on the "SP" floor scale to limit vibrations transmitted to the scale through the floor
- Provides vibration isolation on most portable platforms

PART NUMBER/PRICE

PART #	THREAD SIZE	HEIGHT	DIAMETER	PRICE
18819	1/2-13NC	1.81 in	5.00 in	\$100.00

RoughDeck® Scale Base Mounting Plates

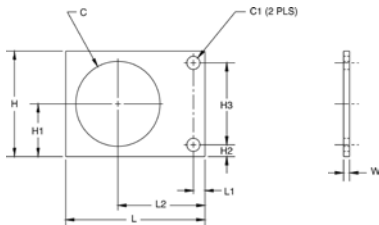


STANDARD FEATURES

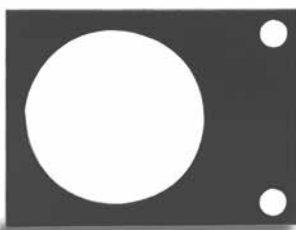
- Secures RoughDeck® and other popular floor scales
- Prevents movement in horizontal plane
- Useful with Surefoot™ and other load cell foot assemblies
- Available in stainless steel and mild steel

PART NUMBER/PRICE

PART #	MTL.	C	C1	H	H1	H2	PRICE
19075	MS	3.62 in	0.56 in	4.50 in	2.25 in	0.50 in	\$15.00
19076	SS	3.62 in	0.56 in	4.50 in	2.25 in	0.50 in	18.00



Summit® 3000 Scale Base Mounting Plates

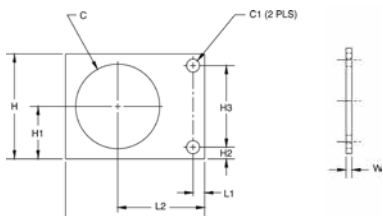


STANDARD FEATURES

- Mounting plate for Summit® 3000 floor scales
- Available in mild steel painted green

PART NUMBER/PRICE

PART #	MTL.	C	C1	H	H1	PRICE
76149	MS	3.19 in	0.56 in	4.50 in	2.25 in	\$15.00



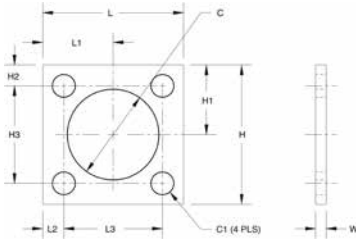
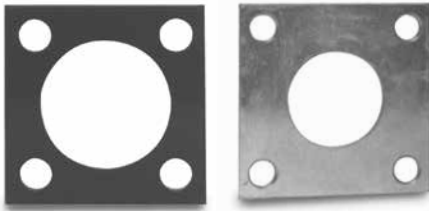
HARDWARE AND ACCESSORIES

Central Carolina Scale, Inc
 5393 Farrell Road
 Sanford, NC 27330

Call: 919-776-7737
 Email: info@ccscale.com

Mounting Plates/Leveling Pad Stems

Floor Scale Mounting Plates



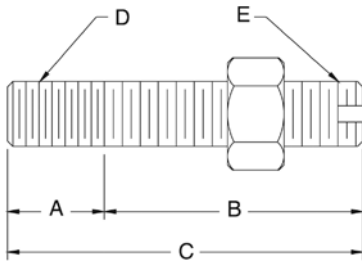
STANDARD FEATURES

- Suitable for use with leveling pads
- Generic mounting plate for popular floor scales
- Fits most floor scale foot assemblies
- Available in stainless steel and mild steel (mild steel parts are zinc plated/painted)

PART NUMBER/PRICE

PART #	C	C1	H	H1	H2	H3	PRICE
Mild Steel:							
18737	2.00 in	0.53 in	4.00 in	2.00 in	0.50 in	3.00 in	\$8.00
18738	3.25 in	0.81 in	5.00 in	2.50 in	0.75 in	3.50 in	9.00
Stainless Steel:							
18751	2.00 in	0.53 in	4.00 in	2.00 in	0.50 in	3.00 in	32.00

Leveling Pad Stems



STANDARD FEATURES

- For use with leveling pads
- One jam nut included

PART NUMBER/PRICE

PART #	A	B	C	D	E	SLOT	MATERIAL	PRICE			
Mild Steel:											
17693	0.75 in	19.1 mm	2.00 in	50.8 mm	2.75 in	69.9 mm	3/4-10 NC	3/4-16 NF	NO	1045	\$14.50
Stainless Steel:											
17689	0.50 in	12.7 mm	1.50 in	38.1 mm	2.00 in	50.8 mm	1/2-13 NC	1/2-20 NF	YES	SS	14.50
17695	0.75 in	19.1 mm	2.00 in	50.8 mm	2.75 in	69.9 mm	3/4-10 NC	3/4-16 NF	NO	SS	27.00

Used in conjunction with Leveling Pad on page 371

Warning: Do not use to suspend a load

Summit® 3000 Low-Profile Floor Scale

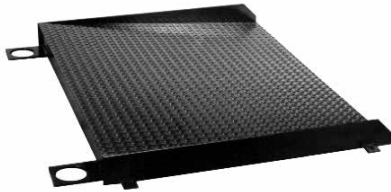
OPTIONS/ACCESSORIES

PART #	DESCRIPTION	EST. SHIP WEIGHT	PRICE
75819	Floor anchor plates, mild steel (set of two)	—	\$25.00
Consult	Top access foot adjust holes	—	40.00
Access Ramps			
74953***	3 ft x 3 ft x 3.625 in	133 lb	330.00
74954***	4 ft x 3 ft x 3.625 in	177 lb	360.00
74955***	5 ft x 3 ft x 3.625 in	226 lb	410.00
74956	3 ft x 4 ft x 3.625 in	177 lb	385.00
74957	4 ft x 4 ft x 3.625 in	224 lb	430.00
74958	5 ft x 4 ft x 3.625 in	272 lb	460.00
Pit Frames			
75036	3 ft x 3 ft	100 lb	315.00
75037	4 ft x 4 ft	125 lb	405.00
75040	5 ft x 5 ft	155 lb	500.00
75038	4 ft x 5 ft	140 lb	455.00
75039	4 ft x 6 ft	157 lb	500.00

* For custom sizes or capacities please consult factory for RoughDeck® HP pricing

** For use with DC-190 counting scales ***Not recommended for use with pallet jacks

RoughDeck® HP, HP-H, SS and HE Access Ramps



PART NUMBER/PRICE

PART #	SIZE (W X †L X H)	EST. SHIP WEIGHT	PRICE
RoughDeck HP: 1,000 lb–10,000 lb			
69040*	2.5 ft x 3 ft x 3.5 in	115 lb	\$310.00
69041*	3 ft x 3 ft x 3.5 in	133 lb	330.00
69042*	4 ft x 3 ft x 3.5 in	177 lb	360.00
69043*	5 ft x 3 ft x 3.5 in	226 lb	410.00
69184	2.5 ft x 4 ft x 3.5 in	152 lb	360.00
69185	3 ft x 4 ft x 3.5 in	177 lb	385.00
69186	4 ft x 4 ft x 3.5 in	224 lb	430.00
69187	5 ft x 4 ft x 3.5 in	272 lb	460.00
RoughDeck HP-H: 20,000 lb			
69204	4 ft x 4 ft x 4 in	487 lb	765.00
69205	5 ft x 4 ft x 4 in	591 lb	870.00
69206	6 ft x 4 ft x 4 in	689 lb	920.00
69207	7 ft x 4 ft x 4 in	822 lb	1,065.00
69208	8 ft x 4 ft x 4 in	1005 lb	1,180.00
RoughDeck HP-H: 30,000 lb			
69210	4 ft x 5 ft x 5 in	666 lb	945.00
69211	5 ft x 5 ft x 5 in	806 lb	1,050.00
69212	6 ft x 5 ft x 5 in	942 lb	1,150.00
69213	7 ft x 5 ft x 5 in	1116 lb	1,305.00
69214	8 ft x 5 ft x 5 in	1337 lb	1,510.00
RoughDeck SS and HE: 1,000 lb–10,000 lb			
69178*	2.5 ft x 3 ft x 3.5 in	115 lb	945.00
69179*	3 ft x 3 ft x 3.5 in	133 lb	945.00
69180*	4 ft x 3 ft x 3.5 in	177 lb	1,155.00
69189	2.5 ft x 4 ft x 3.5 in	152 lb	1,050.00
69190	3 ft x 4 ft x 3.5 in	177 lb	1,155.00
69191	4 ft x 4 ft x 3.5 in	224 lb	1,570.00
69192	5 ft x 4 ft x 3.5 in	272 lb	1,770.00

* Not recommended for use with pallet jacks

† Approach length (must match width of ramp with width of scale)

NOTE: Part numbered ramps are designed to fit scale on sides perpendicular to junction box. The junction box is always on longest side of scale unless specified differently.

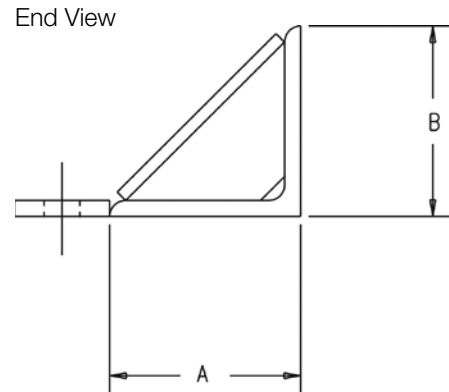
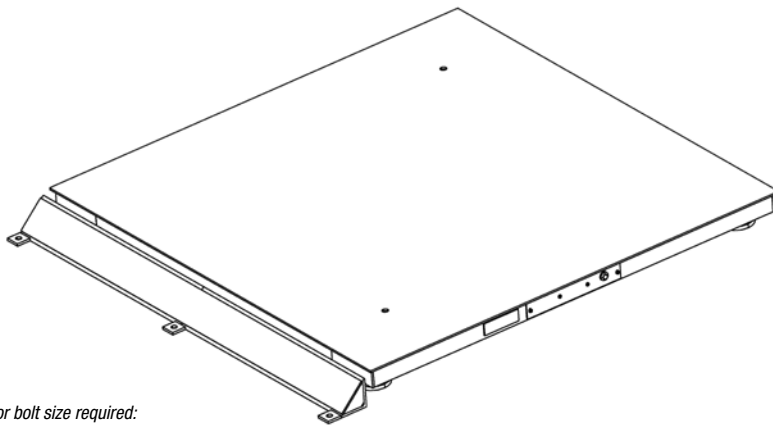
RoughDeck® HP, HP-H, SS and HE Pit Frames



PART NUMBER/PRICE

PART #	SIZE (W X L)	EST. SHIP WEIGHT	PRICE
RoughDeck HP: 1,000 lb–10,000 lb			
18757	2.5 ft x 2.5 ft	88 lb	\$285.00
18759	3 ft x 3 ft	102 lb	315.00
18761	4 ft x 4 ft	127 lb	405.00
18763	5 ft x 5 ft	154 lb	500.00
18765	4 ft x 5 ft	140 lb	455.00
18767	4 ft x 6 ft	157 lb	500.00
18769	5 ft x 6 ft	172 lb	550.00
18771	5 ft x 7 ft	185 lb	590.00
RoughDeck HP-H: 20,000 lb			
39595	4 ft x 4 ft	309 lb	495.00
39596	4 ft x 5 ft	352 lb	530.00
39597	4 ft x 6 ft	391 lb	575.00
39598	4 ft x 7 ft	459 lb	655.00
39599	5 ft x 5 ft	411 lb	600.00
39600	5 ft x 6 ft	460 lb	685.00
39601	5 ft x 7 ft	473 lb	715.00
39602	6 ft x 6 ft	583 lb	795.00
39603	6 ft x 7 ft	597 lb	825.00
39604	6 ft x 8 ft	610 lb	870.00
39605	7 ft x 9 ft	683 lb	925.00
39606	7 ft x 10 ft	781 lb	975.00
39607	8 ft x 10 ft	795 lb	1,015.00
RoughDeck HP-H: 30,000 lb			
39608	4 ft x 4 ft	356 lb	590.00
39609	4 ft x 5 ft	402 lb	620.00
39610	4 ft x 6 ft	444 lb	675.00
39611	4 ft x 7 ft	516 lb	745.00
39612	5 ft x 5 ft	464 lb	715.00
39613	5 ft x 6 ft	498 lb	755.00
39614	5 ft x 7 ft	533 lb	795.00
39615	6 ft x 6 ft	643 lb	920.00
39619	7 ft x 10 ft	850 lb	1,025.00
39620	8 ft x 10 ft	875 lb	1,065.00
RoughDeck SS and HE: 1,000 lb - 10,000 lb			
18758	2.5 ft x 2.5 ft	88 lb	910.00
18760	3 ft x 3 ft	102 lb	910.00
18762	4 ft x 4 ft	127 lb	1,210.00
18764	5 ft x 5 ft	154 lb	1,500.00
18766	4 ft x 5 ft	140 lb	1,355.00
18772	5 ft x 7 ft	185 lb	1,785.00

Bumper Guards Option A



Anchor bolt size required:
1/2 in dia. (Not Included)

Construction:
RoughDeck® HP & HP-H versions
(Mild steel, painted safety yellow)
RoughDeck SS/HE
(304 stainless steel)

DRAWING DIMENSIONS		
Model	A	B
RoughDeck HP	3 in	3 in
RoughDeck SS/HE	3 in	3 in
RoughDeck HP-H	4 in	4 in

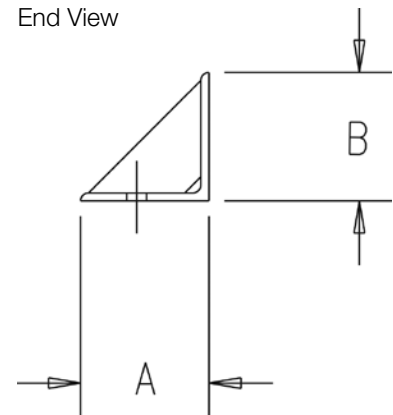
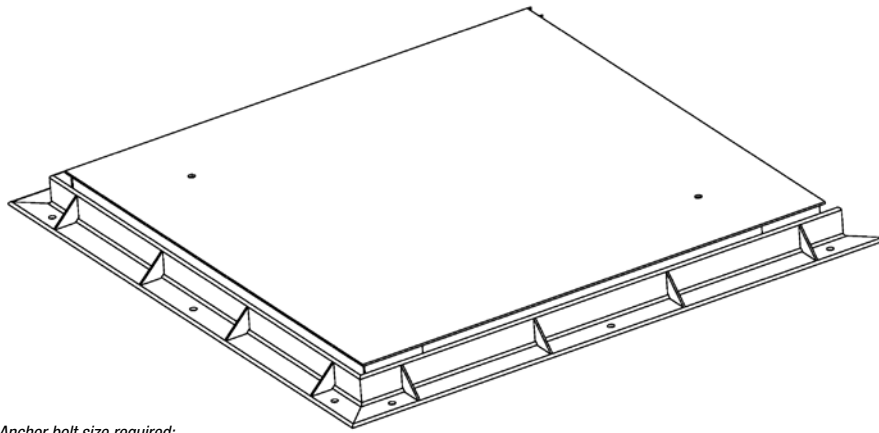
PART NUMBER/PRICE

LENGTH	ROUGHDECK HP	PRICE EACH	ROUGHDECK SS/HE	PRICE EACH	ROUGHDECK HP-H	PRICE EACH
2.5 ft	86815	\$125.00	86824	\$215.00	86833	\$215.00
3.0 ft	86816	150.00	86825	255.00	86834	255.00
4.0 ft	86817	200.00	86826	340.00	86835	340.00
5.0 ft	86818	250.00	86827	425.00	86836	425.00
6.0 ft	86819	300.00	86828	510.00	86837	510.00
7.0 ft	86820	350.00	86829	595.00	86838	595.00
8.0 ft	86821	400.00	86830	680.00	86839	680.00
9.0 ft	86822	450.00	86831	765.00	86840	765.00
10.0 ft	86823	500.00	86832	850.00	86841	850.00

ACCESSORIES

PART #	DESCRIPTION	PRICE
18777	Floor anchor plates, mild steel (set of two), RoughDeck HP	\$30.00
18778	Floor anchor plates, stainless steel (set of two), RoughDeck SS/HE	32.00
40387	Floor anchor plates, mild steel (set of two), RoughDeck HP-H 20k	42.00
40388	Floor anchor plates, mild steel (set of two), RoughDeck HP-H 30k	42.00

Bumper Guards Option B



Anchor bolt size required:
1/2 in dia. (Not Included)

Construction:
RoughDeck® HP & HP-H versions
(Mild steel, Painted safety yellow)

RoughDeck SS/HE
(304 stainless steel)

Note: If you plan to surround scale on all four sides with bumper guards, option B, please contact factory as a special bumper guard must be made to accommodate the home run cable exit.

DRAWING DIMENSIONS		
Model	A	B
RoughDeck HP	3 in	3 in
RoughDeck SS/HE	3 in	3 in
RoughDeck HP-H	4 in	4 in

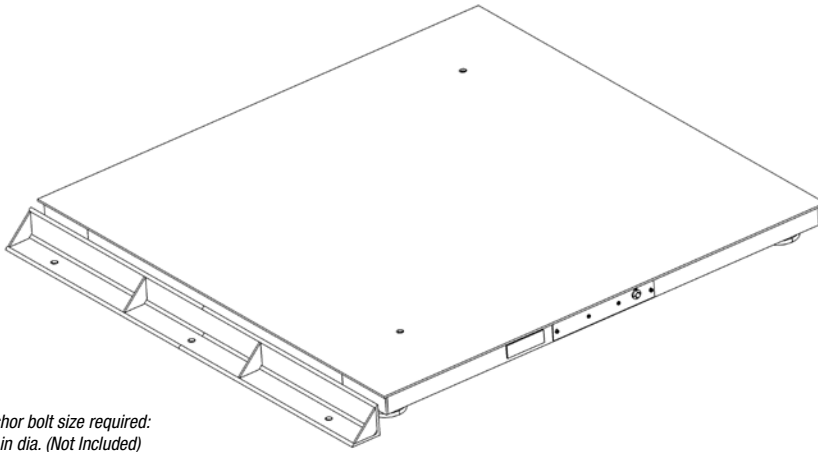
PART NUMBER/PRICE

LENGTH	ROUGHDECK HP	PRICE EACH	ROUGHDECK SS/HE	PRICE EACH	ROUGHDECK HP-H	PRICE EACH
2.5 ft	86843	\$120.00	86852	\$175.00	86861	\$175.00
3.0 ft	86844	145.00	86853	210.00	86862	210.00
4.0 ft	86845	195.00	86854	280.00	86863	280.00
5.0 ft	86846	240.00	86855	350.00	86864	350.00
6.0 ft	86847	290.00	86856	420.00	86865	420.00
7.0 ft	86848	340.00	86857	490.00	86866	490.00
8.0 ft	86849	385.00	86858	560.00	86867	560.00
9.0 ft	86850	435.00	86859	630.00	86868	630.00
10.0 ft	86851	480.00	86860	700.00	86869	700.00

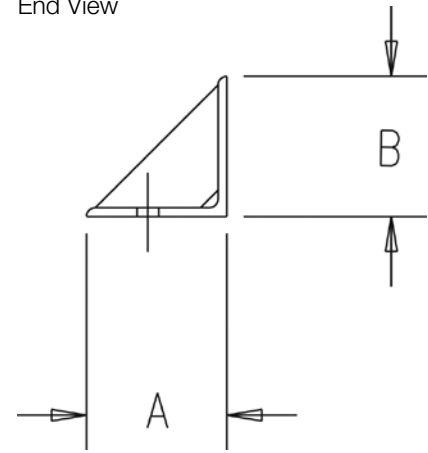
ACCESSORIES

PART #	DESCRIPTION	PRICE
18777	Floor anchor plates, mild steel (set of two), RoughDeck HP	\$30.00
18778	Floor anchor plates, stainless steel (set of two), RoughDeck SS/HE	32.00
40387	Floor anchor plates, mild steel (set of two), RoughDeck HP-H 20k	42.00
40388	Floor anchor plates, mild steel (set of two), RoughDeck HP-H 30k	42.00

Bumper Guards Option C



End View



Anchor bolt size required:
1/2 in dia. (Not Included)
Construction:
RoughDeck® HP & HP-H versions
(Mild steel, Painted safety yellow)
RoughDeck SS/HE
(304 stainless steel)

DRAWING DIMENSIONS		
Model	A	B
RoughDeck HP	3 in	3 in
RoughDeck SS/HE	3 in	3 in
RoughDeck HP-H	4 in	4 in

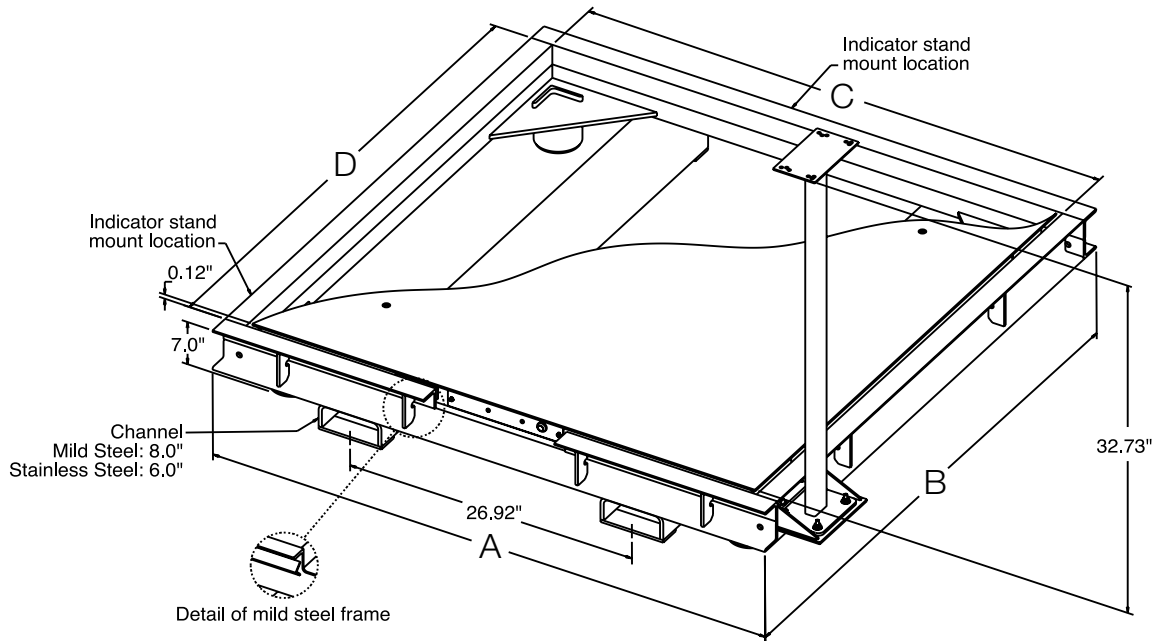
PART NUMBER/PRICE

LENGTH	ROUGHDECK HP	PRICE EACH	ROUGHDECK SS/HE	PRICE EACH	ROUGHDECK HP-H	PRICE EACH
2.5 ft	86870	\$80.00	86879	\$155.00	86888	\$155.00
3.0 ft	86871	100.00	86880	190.00	86889	190.00
4.0 ft	86872	130.00	86881	250.00	86890	250.00
5.0 ft	86873	160.00	86882	310.00	86891	310.00
6.0 ft	86874	195.00	86883	375.00	86892	375.00
7.0 ft	86875	225.00	86884	435.00	86893	435.00
8.0 ft	86876	260.00	86885	500.00	86894	500.00
9.0 ft	86877	290.00	86886	560.00	86895	560.00
10.0 ft	86878	320.00	86887	620.00	86896	620.00

ACCESSORIES

PART #	DESCRIPTION	PRICE
18777	Floor anchor plates, mild steel (set of two), RoughDeck HP	\$30.00
18778	Floor anchor plates, stainless steel (set of two), RoughDeck SS/HE	32.00
40387	Floor anchor plates, mild steel (set of two), RoughDeck HP-H 20k	42.00
40388	Floor anchor plates, mild steel (set of two), RoughDeck HP-H 30k	42.00

RoughDeck® HP and SS Portability Frames



PORTABILITY FRAME DIMENSIONS		
4 ft x 4 ft		
A	Mild Steel: 51.92 in (1318 mm)	Stainless Steel: 52.75 in (1339 mm)
B	Mild Steel: 51.92 in (1318 mm)	Stainless Steel: 52.75 in (1339 mm)
C	48.75 in (1238 mm)	
D	48.75 in (1238 mm)	
5 ft x 5 ft		
A	63.92 in (1623 mm) Mild Steel	64.75 in (1644 mm) Stainless Steel
B	63.92 in (1623 mm) mild steel	64.75 in (1644 mm) stainless steel
C	60.75 in (1543 mm)	
D	60.75 in (1543 mm)	
Distance from floor to inside of strap on the fork entry		
	Mild Steel: 3/4 in	Stainless Steel: 1/2 in
Distance from inside of strap to top of the fork entry		
	Mild Steel: 2 in	Stainless Steel: 2 1/4 in

PART NUMBER/PRICE

PART #	SIZE (W X L)	EST. SHIP WEIGHT	PRICE
RoughDeck HP Portability Frames			
77943	4 ft x 4 ft	260 lb	\$700.00
77944	5 ft x 5 ft	385 lb	795.00
19352	Floor stand for indicator, 36.3 in high, mild steel*	11 lb	205.00
79068	Indicator stand mounting bracket	5 lb	40.00
RoughDeck SS Portability Frames			
77945	4 ft x 4 ft	260 lb	2,200.00
77946	5 ft x 5 ft	385 lb	2,500.00
28740	Floor stand for indicator, 36.3 in high, stainless steel*	11 lb	310.00
79069	Indicator stand mounting bracket	5 lb	65.00

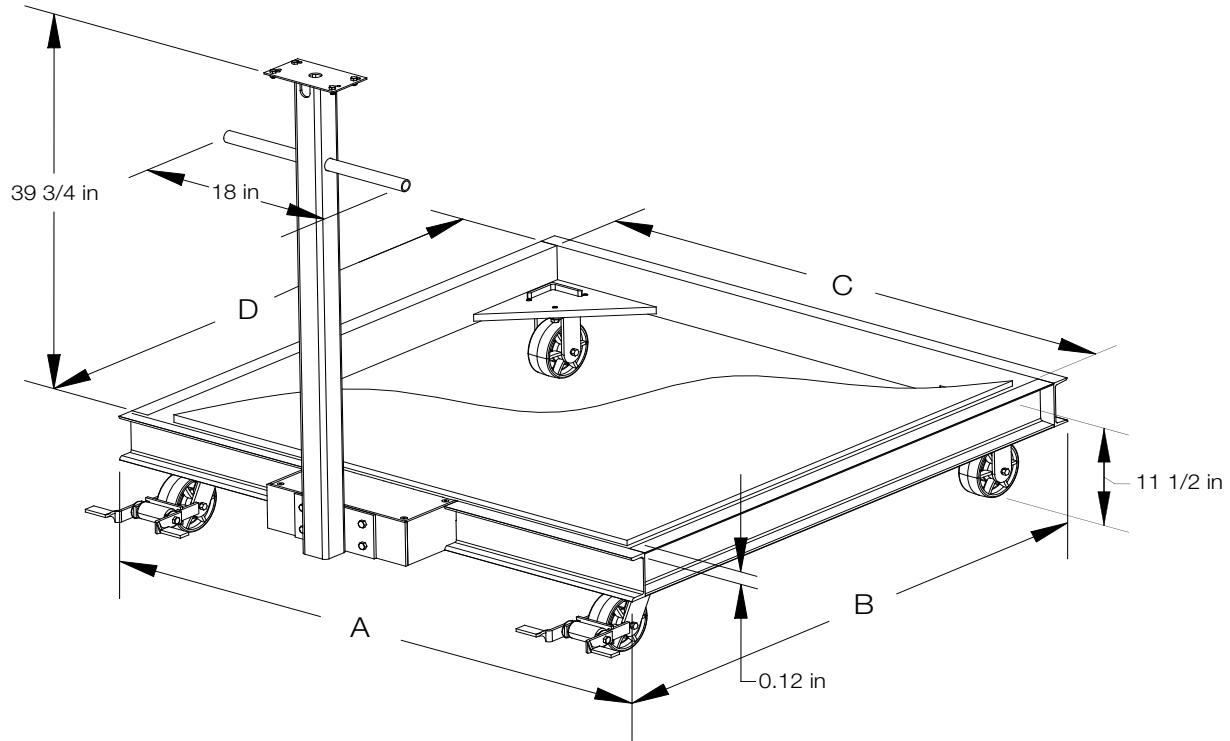
* Works with IQ plus® 310, IQ plus 355, IQ plus 390 DC, 480, IQ plus 590 DC and IQ 700

† Floor stand for indicator is not included with frames.

NOTE: Consult factory if you intend on using with a pallet jack to confirm modifications are not required.



RoughDeck® HP Caster Portability Frames



STANDARD FEATURES

- Painted mild steel
- Indicator stand fits IP +355, IQ +390, 420 Plus, IQ +590 and 480 Legend
- Two rigid forged steel casters, two swivel forged steel caster with lock on back
- Casters for scales 1 k-5k are rated for 1500 pounds each. Casters for 10k scale are rated for 4000 pounds each

PART NUMBER/PRICE

PART #	SIZE (W X L X H)	EST. SHIP WEIGHT	PRICE
RoughDeck HP Caster Portability Frames			
157785	2.5 x 2.5 ft, for RoughDeck HP 1 k to 5 k	220 lb	\$1,695.00
157791	3 x 3 ft, for RoughDeck HP 1 k to 5 k	240 lb	1,695.00
157792	4 x 4 ft, for RoughDeck HP 1 k to 5 k	260 lb	1,695.00
157793	4 x 4 ft, for RoughDeck HP 10 k	260 lb	1,895.00

CASTER PORTABILITY FRAME DIMENSIONS

2.5 ft x 2.5 ft (1 K-5 K)	
A	33.92
B	33.92
C	30.75
D	30.75
3 ft x 3 ft (1 K-5 K)	
A	39.92
B	39.92
C	36.75
D	36.75
4 ft x 4 ft (1 K-5 K)	
A	51.92
B	51.92
C	48.75
D	48.75
4 ft x 4 ft (10 K)	
A	51.92
B	51.92
C	48.75
D	48.75