

CG-1210

▶ TENSION/COMPRESSION

▶ STAINLESS STEEL

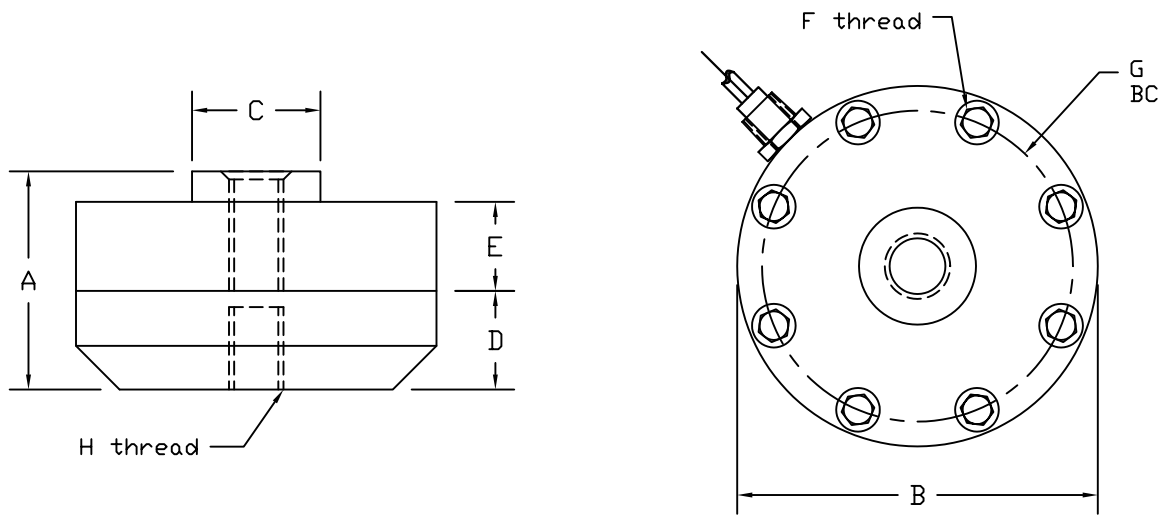
CENTRAL CAROLINA SCALE, INC 5393 FARRELL ROAD SANFORD NC 27330 (919) 776-7737



CG-1210 ORDER INFORMATION	PRICING	SUGGESTED LIST PRICE
5K		\$ 660.00
10K		\$ 660.00

INTERCHANGEABLE PRODUCTS	
Interface.....	1210

Main Dimensions and Accessories



RATED CAPACITY	DIMENSIONS									
	A	B	C	D	E	F	G	H		
5K	2.50	4.13	1.34	1.13	1.02	M6	3.562	5/8-18UNF		
10K	2.50	4.13	1.34	1.13	1.02	M6	3.562	5/8-18UNF		

SPECIFICATIONS

Rated Output (mV/V)	4.00	Input Impedance	380 +/- 10 ohms
Nonlinearity	+/- 0.05% FS	Output Impedance	350 +/- 5 ohms
Hysteresis	+/- 0.03% FS	Insulation Resistance	5000 Megohms
Repeatability	+/- 0.01% FS	Excitation Voltage	10V AC/DC (20V Max)
Creep (30 minutes)	+/- 0.03% FS	Compensated Temperature Range	-10°C - +40°C
Zero Balance	+/- 1.00% FS	Operating Temperature Range	-20°C - +60°C
Temperature Effect on Zero	+/- 0.0027% of rated output/°C	Safe Overload	150% FS
Temperature Effect on Output	+/- 0.0015% of applied load/°C	Cable Length	20' Standard Cable
Cable Color Code	Input Green +Excitation Black -Excitation	Output White +Signal Red -Signal	Seal Type Environmentally-Sealed