

# CG-1211

► **COMPRESSION CANISTER**

► **STAINLESS STEEL**

**CENTRAL CAROLINA SCALE, INC 5393 FARRELL ROAD SANFORD NC 27330 (919) 776-7737**



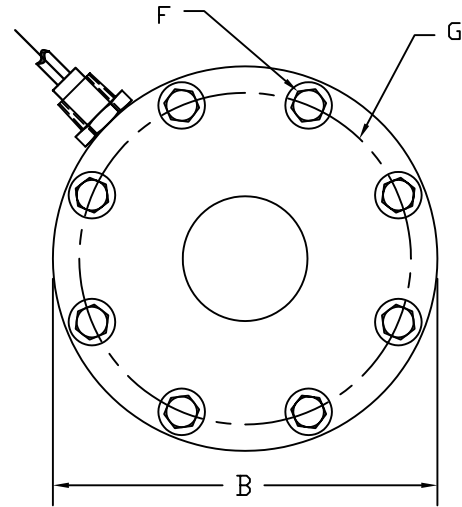
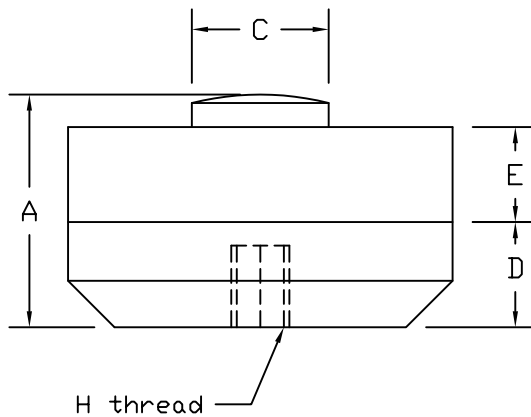
**CG-1211 ORDER INFORMATION** PRICING<sup>##</sup> SUGGESTED LIST PRICE

5K	\$ 660.00
10K	\$ 660.00

**INTERCHANGEABLE PRODUCTS**

Hydraulic Truck Scale .....	Totalizer 5K
Interface.....	1211

Main Dimensions and Accessories



RATED CAPACITY	DIMENSIONS								
	A	B	C	D	E	F	G	H	
5K	2.50	4.13	1.34	1.13	1.02	M6	3.562	5/8-18UNF	
10K	2.50	4.13	1.34	1.13	1.02	M6	3.562	5/8-18UNF	

► **SPECIFICATIONS** ◀

Rated Output (mV/V)	4.00	Input Impedance	380 +/- 10 ohms
Nonlinearity	+/- 0.05% FS	Output Impedance	350 +/- 5 ohms
Hysteresis	+/- 0.03% FS	Insulation Resistance	5000 Megohms
Repeatability	+/- 0.01% FS	Excitation Voltage	10V AC/DC (20V Max)
Creep (30 minutes)	+/- 0.03% FS	Compensated Temperature Range	-10°C - +40°C
Zero Balance	+/- 1.00% FS	Operating Temperature Range	-20°C - +60°C
Temperature Effect on Zero	+/- 0.0027% of rated output/°C	Safe Overload	150% FS
Temperature Effect on Output	+/- 0.0015% of applied load/°C	Cable Length	20' Standard Cable
Cable Color Code	Input	Output	Seal Type
	Green +Excitation	White +Signal	Environmentally-Sealed
	Black -Excitation	Red -Signal	