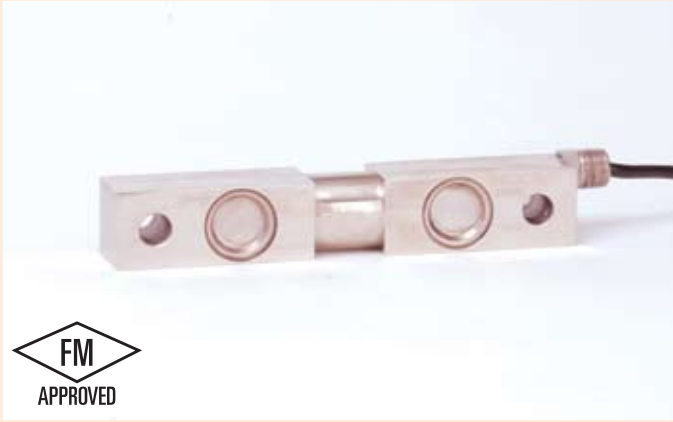


# CG-16 SSW

▶ **DOUBLE-ENDED SHEAR BEAM**

▶ **STAINLESS STEEL**  
Welded-Seal, IP67

CENTRAL CAROLINA SCALE, INC 5393 FARRELL ROAD SANFORD NC 27330 (919) 776-7737



**CG-16 SSW ORDER INFORMATION** PRICING SUGGESTED LIST PRICE

1K, 1.5K, 2K, 2.5K, 3K, 5K	\$ 535.00
10K, 15K, 20K, 25K, 35K	\$ 600.00
50K	\$1295.00
* 75K	\$1295.00
* 75,000 lb capacity has square center	

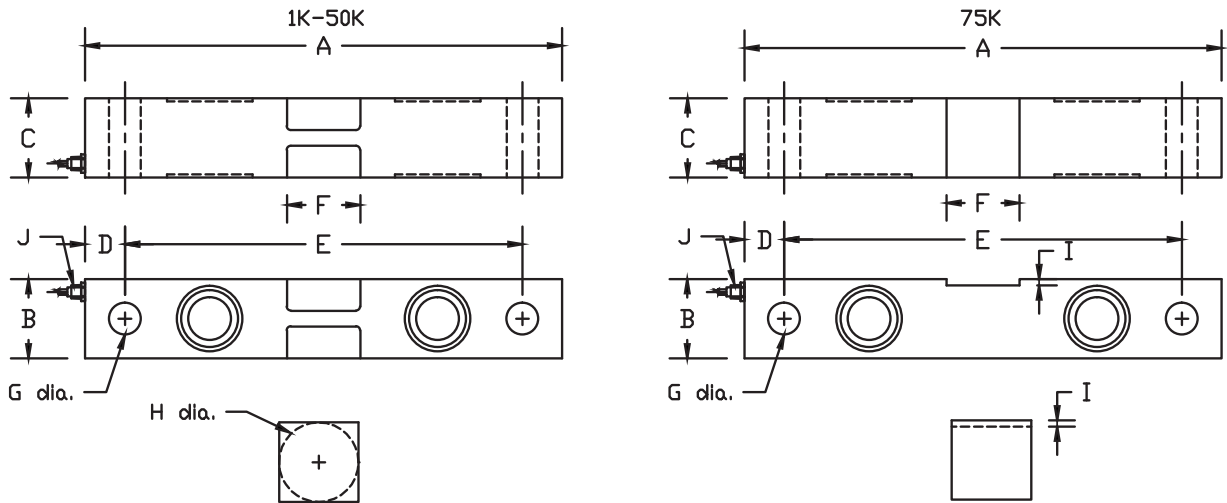
**INTERCHANGEABLE PRODUCTS**

Rice Lake Weighing Systems.....	RL75016SS
Rice Lake Weighing Systems.....	RL75016WHE
Sensortronics.....	65016W
Sensortronics.....	65016WH
Revere.....	9203
Celtron.....	DSR HHS

**WEIGH MODULES**

Coti Global Sensors	CG16M
---------------------	-------

Main Dimensions and Accessories



RATED CAPACITY	DIMENSIONS										
	A	B	C	D	E	F	G	H	I	J	
1K-5K	7.50	1.25	1.25	0.62	6.25	1.15	0.50	1.25	-	1/4-18 NPT	
10K-25K	8.75	1.94	1.44	0.62	7.50	2.00	0.81	2.00	-	1/4-18 NPT	
35K	8.75	2.50	1.50	0.62	7.50	2.00	0.81	2.50	-	1/4-18 NPT	
50K	13.50	2.94	2.44	1.00	11.50	3.25	1.31	3.00	-	1/2-14 NPT	
75K	13.50	2.94	2.44	1.00	11.50	3.25	1.31	-	0.17	1/2-14 NPT	
100K-125K	18.50	3.94	2.94	1.75	15.00	3.25	1.63	-	0.25	1/2-14 NPT	

▶ **SPECIFICATIONS** ◀

Rated Output (mV/V)	3.00	Input Impedance	700 +/- 10 ohms
Nonlinearity	+/- 0.03% FS	Output Impedance	700 +/- 5 ohms
Hysteresis	+/- 0.02% FS	Insulation Resistance	5000 Megohms
Repeatability	+/- 0.01% FS	Excitation Voltage	10V AC/DC (20V Max)
Creep (30 minutes)	+/- 0.02% FS	Compensated Temperature Range	-10°C - +40°C
Zero Balance	+/- 1.00% FS	Operating Temperature Range	-20°C - +60°C
Temperature Effect on Zero	+/- 0.0027% of rated output/°C	Safe Overload	150% FS
Temperature Effect on Output	+/- 0.0015% of applied load/°C	Cable Length: 1K - 5K 50' Standard	10K - 125K 50' Braided Shield
Cable Color Code	Input Green +Excitation Black -Excitation	Output White +Signal Red -Signal	Seal Type Welded-Seal, IP67