

CG-175

► **COMPRESSION CANISTER**

► **STAINLESS STEEL**
Hermetically Sealed

CENTRAL CAROLINA SCALE, INC 5393 FARRELL ROAD SANFORD NC 27330 (919) 776-7737



CG-175 ORDER INFORMATION

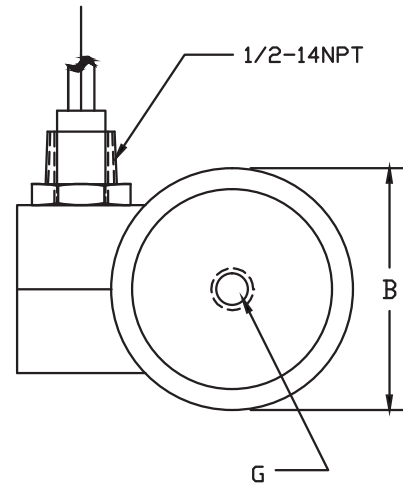
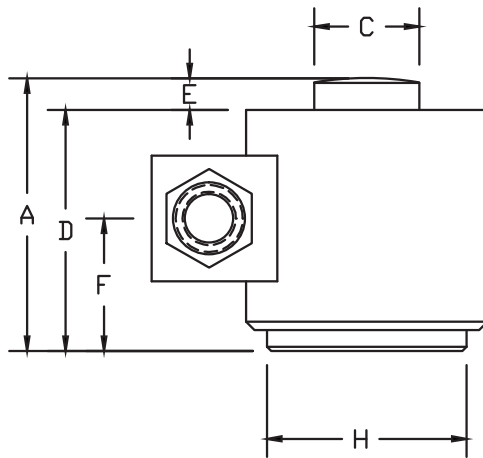
PRICINGⁱⁱⁱ SUGGESTED LIST PRICE

10K	\$ 990.00
25K, 50K	\$ 990.00
100K	\$1100.00
200K	\$1540.00
300K	\$1540.00
500K	\$2750.00

INTERCHANGEABLE PRODUCTS

Artech.....	90210
Cardinal.....	CP1
Howe Richardson.....	20908XXX
Revere Transducers.....	CP, 392B
Streeter Amet.....	3751940, 3752030, 3752040, 3753070
Totalcomp.....	TCP1

Main Dimensions and Accessories



RATED CAPACITY	DIMENSIONS									
	A	B	C	D	E	F	G		H	
10K-50K	3.25	2.88	1.25	2.85	0.40	1.58	1/2-20UNF x.31deep		2.28	
100K	5.00	4.12	2.31	4.49	0.51	2.45	3/4-16UNF x.56deep		3.25	
200K-300K	7.25	6.00	3.13	6.18	1.04	3.65	3/4-16UNF x.75deep		4.88	
500K	9.00	6.50	3.69	8.36	0.56	4.81	3/4-16UNF x.75deep		5.37	

► **SPECIFICATIONS** ◀

Rated Output (mV/V)	1.75	Input Impedance	450 +/- 10 ohms
Nonlinearity	+/- 0.05% FS	Output Impedance	480 +/- 5 ohms
Hysteresis	+/- 0.03% FS	Insulation Resistance	5000 Megohms
Repeatability	+/- 0.01% FS	Excitation Voltage	10V AC/DC (20V Max)
Creep (30 minutes)	+/- 0.03% FS	Compensated Temperature Range	-10°C - +40°C
Zero Balance	+/- 1.00% FS	Operating Temperature Range	-20°C - +60°C
Temperature Effect on Zero	+/- 0.0027% of rated output/°C	Safe Overload	150% FS
Temperature Effect on Output	+/- 0.0015% of applied load/°C	Cable Length	50' Standard Cable
Cable Color Code	Input Output	Seal Type	Hermetically Sealed, IP67
	Green +Excitation White +Signal		
	Black -Excitation Red -Signal		