

CG-21 & CG-31

▶ **TENSION/COMPRESSION CANISTER**
▶ **STAINLESS STEEL**
Hermetically Sealed

CENTRAL CAROLINA SCALE, INC 5393 FARRELL ROAD SANFORD NC 27330 (919) 776-7737



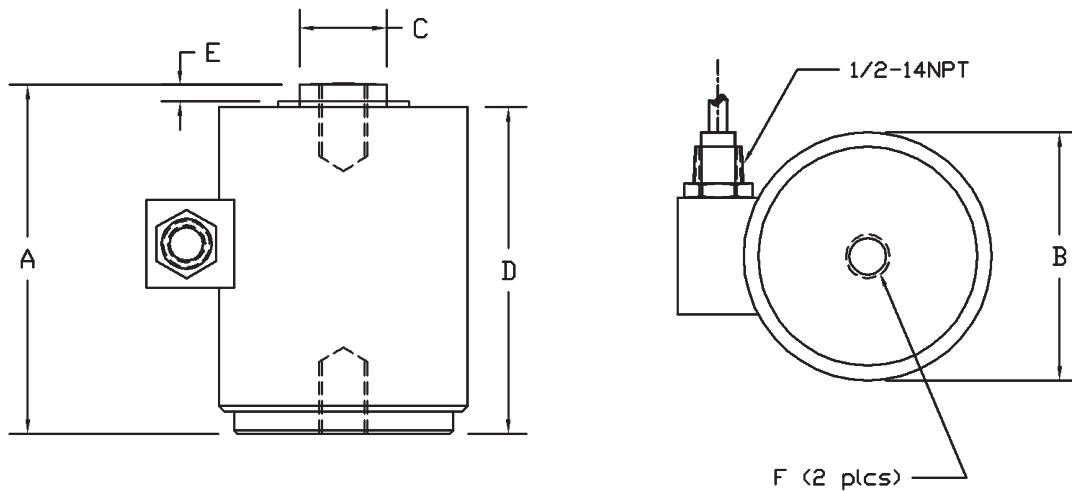
CG-21 & CG-31 ORDER INFORMATION PRICINGⁱⁱ SUGGESTED LIST PRICE

500 lb, 750 lb, 1K, 2K, 3K,	\$1017.50
5K, 10K	\$1155.00
20K, 25K, 30K	\$1375.00
50K, 100K	\$1760.00

INTERCHANGEABLE PRODUCTS

BLH.....	T2P1.....	T3P1, CP31
Fairbanks.....657090, 657091.....	3-38054-X, 3-39897-X, 3-40766-X	
Streeter Richardson.....2011711.....		20117XX
Streeter Richardson.....		2011712
Totalcomp.....	TT2P1.....	TC3P1
Toledo.....	1004400A, KN713700, KB200570, 10049100A, 10048X00A, KN75066	

Main Dimensions and Accessories



RATED CAPACITY	DIMENSIONS							
	A	B	C	D	E	F		
500LB-3K	4.56	3.50	0.75	4.27	0.29	1/2-20UNF x 0.56 deep		
5K-10K	5.94	3.50	1.35	5.41	0.44	1-14UNF x 1.25 deep		
20K-30K	8.50	5.00	2.50	7.81	0.56	1-1/2-12UNF x 2.00 deep		
50K-100K	11.44	6.50	3.00	10.75	0.62	2-12UNF x 2.62 deep		

▶ **SPECIFICATIONS** ◀

Rated Output (mV/V)	2.00 or 3.00	Input Impedance	380 +/- 10 ohms
Nonlinearity	+/- 0.05% FS	Output Impedance	350 +/- 5 ohms
Hysteresis	+/- 0.03% FS	Insulation Resistance	5000 Megohms
Repeatability	+/- 0.01% FS	Excitation Voltage	10V AC/DC (20V Max)
Creep (30 minutes)	+/- 0.03% FS	Compensated Temperature Range	-10°C - +40°C
Zero Balance	+/- 1.00% FS	Operating Temperature Range	-20°C - +60°C
Temperature Effect on Zero	+/- 0.0027% of rated output/°C	Safe Overload	150% FS
Temperature Effect on Output	+/- 0.0015% of applied load/°C	Cable Length	50' Standard Cable
Cable Color Code	Input Green +Excitation Black -Excitation	Output White +Signal Red -Signal	Seal Type Hermetically Sealed, IP67