

# CG-26S3-10

▶ **COMPRESSION CANISTER**

▶ **STAINLESS STEEL**  
Hermetically Sealed

**CENTRAL CAROLINA SCALE, INC 5393 FARRELL ROAD SANFORD NC 27330 (919) 776-7737**



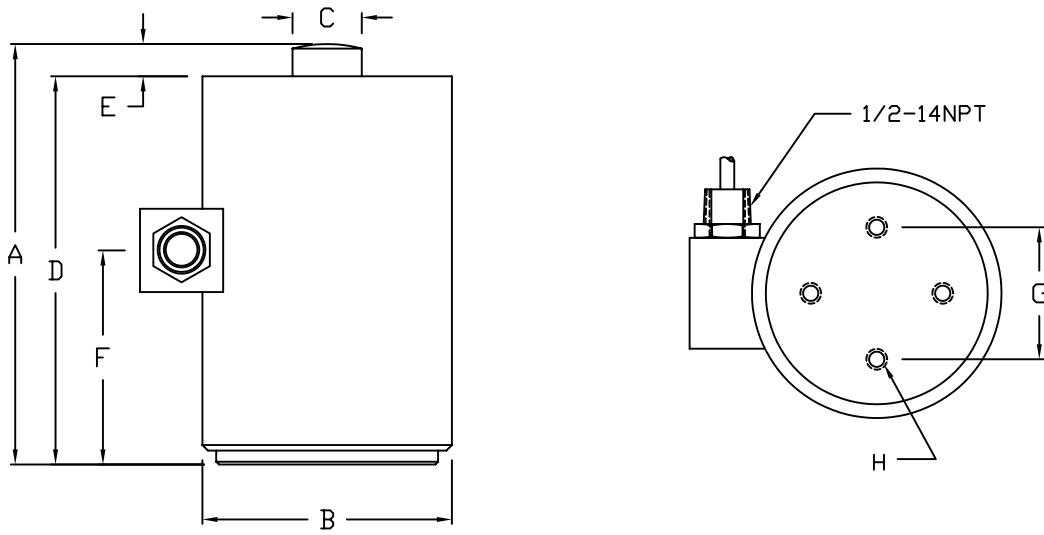
**CG-26S3-10 ORDER INFORMATION** PRICING **SUGGESTED LIST PRICE**

50K	\$1320.00
100K	\$1445.00
200K	\$2090.00

**INTERCHANGEABLE PRODUCTS**

Fairbanks.....	3-43076-1
	3-43076-2
	3-43076-3
Totalcomp.....	TC-C2P1-1000

Main Dimensions and Accessories



RATED CAPACITY	DIMENSIONS								
	A	B	C	D	E	F	G	H	
20-50K	7.50	4.50	1.25	6.75	0.50	3.86	2.38	3/8-24UNF x 0.63deep	
100K	9.13	6.00	1.75	8.25	0.71	4.75	4.00	1/2-20UNF x 0.75deep	
200K	11.63	8.00	2.50	10.66	0.81	4.75	5.50	5/8-18UNF x 1.00deep	

▶ **SPECIFICATIONS** ◀

Rated Output (mV/V)	2.00	Input Impedance	1080 +/- 10 ohms
Nonlinearity	+/- 0.05% FS	Output Impedance	1000 +/- 5 ohms
Hysteresis	+/- 0.03% FS	Insulation Resistance	5000 Megohms
Repeatability	+/- 0.01% FS	Excitation Voltage	10V AC/DC (20V Max)
Creep (30 minutes)	+/- 0.03% FS	Compensated Temperature Range	-10°C - +40°C
Zero Balance	+/- 1.00% FS	Operating Temperature Range	-20°C - +60°C
Temperature Effect on Zero	+/- 0.0027% of rated output/°C	Safe Overload	150% FS
Temperature Effect on Output	+/- 0.0015% of applied load/°C	Cable Length	50' Standard Cable
Cable Color Code	Input	Output	Seal Type
	Green +Excitation	White +Signal	Hermetically Sealed, IP67
	Black -Excitation	Red -Signal	