

CG-26S3

► **Compression Canister**

► **STAINLESS STEEL**
Hermetically Sealed

CENTRAL CAROLINA SCALE, INC 5393 FARRELL ROAD SANFORD NC 27330 (919) 776-7737



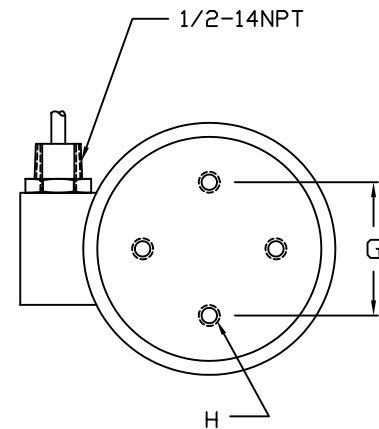
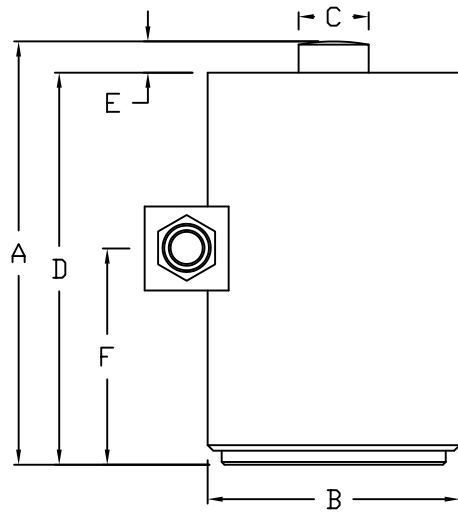
CG-26S3 ORDER INFORMATION PRICINGⁱⁱⁱ SUGGESTED LIST PRICE

20K	\$ 1320.00
50K	\$ 1320.00
100K	\$ 1445.00
200K	\$ 2090.00

INTERCHANGEABLE PRODUCTS

Artech.....	90405
BLH.....	C2P1
Fairbanks.....	3-38065-X, 3-38066-X
HBM.....	C-10
Revere.....	792
Rice Lake Weighing.....	RL8C2P1SS
Streeter Richardson 2011611, 2011612, 2011613, 2011614, 2011617	
Toledo.....	10011900A, 10014900A, 10049200A, 10049300A
Totalcomp.....	TC-C2P1

Main Dimensions and Accessories



RATED CAPACITY	DIMENSIONS								
	A	B	C	D	E	F	G	H	
20-50K	7.50	4.50	1.25	6.75	0.50	3.86	2.38	3/8-24UNF x0.63deep	
100K	9.13	6.00	1.75	8.25	0.71	4.75	4.00	1/2-20UNF x0.75deep	
200K	11.63	8.00	2.50	10.66	0.81	4.75	5.50	5/8-18UNF x1.00deep	

► **SPECIFICATIONS** ◀

Rated Output (mV/V)	2.00	Input Impedance	385 +/- 10 ohms
Nonlinearity	+/- 0.05% FS	Output Impedance	350 +/- 5 ohms
Hysteresis	+/- 0.03% FS	Insulation Resistance	5000 Megohms
Repeatability	+/- 0.01% FS	Excitation Voltage	10V AC/DC (20V Max)
Creep (30 minutes)	+/- 0.02% FS	Compensated Temperature Range	-10°C - +40°C
Zero Balance	+/- 1.00% FS	Operating Temperature Range	-20°C - +60°C
Temperature Effect on Zero	+/- 0.0027% of rated output/°C	Safe Overload	150% FS
Temperature Effect on Output	+/- 0.0015% of applied load/°C	Cable Length	50' Standard Cable
Cable Color Code	Input Output	Seal Type	Hermetically Sealed, IP67
	Green +Excitation White +Signal		
	Black -Excitation Red -Signal		