

CG-26S5

► **COMPRESSION CANISTER**

► **STAINLESS STEEL**
Hermetically Sealed

CENTRAL CAROLINA SCALE, INC 5393 FARRELL ROAD SANFORD NC 27330 (919) 776-7737



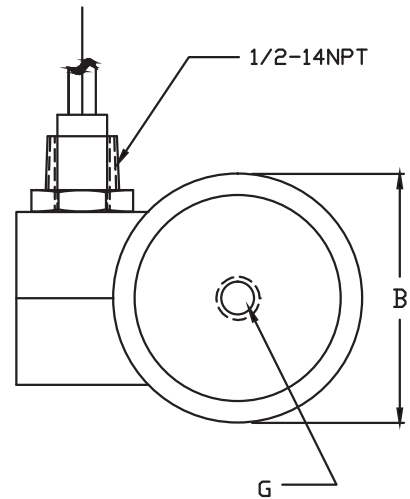
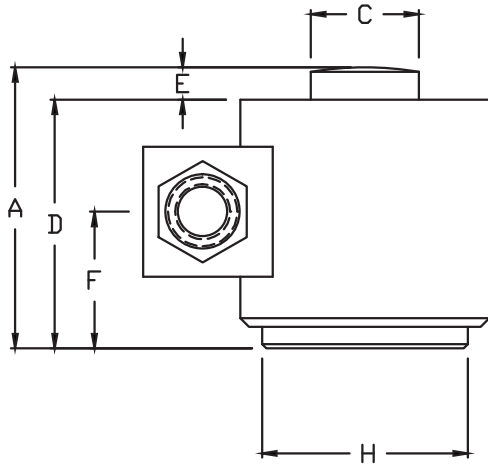
CG-26S5 ORDER INFORMATION PRICINGⁱⁱⁱ SUGGESTED LIST PRICE

10K	\$ 990.00
25K, 50K	\$ 990.00
100K	\$1100.00
200K	\$1540.00
300K	\$1540.00
500K	\$2750.00

INTERCHANGEABLE PRODUCTS

Artech.....	90310
Howe Richardson.....	244699-000X
Revere Transducers.....	692B, CSP, RLCSP1
Rice Lake Weighing Systems.....	RLCSP1
Sensortronics.....	65088-1000
Streeter Amet.....	3760XXX
Totalcomp.....	TCSP1

Main Dimensions and Accessories



RATED CAPACITY	DIMENSIONS							
	A	B	C	D	E	F	G	H
10K-50K	3.25	2.88	1.25	2.85	0.40	1.58	1/2-20UNF x.31deep	2.28
100K	5.00	4.12	2.31	4.49	0.51	2.45	3/4-16UNF x.56deep	3.25
200K-300K	7.25	6.00	3.13	6.18	1.04	3.65	3/4-16UNF x.75deep	4.88
500K	9.00	6.50	3.69	8.36	0.56	4.81	3/4-16UNF x.75deep	5.37

► **SPECIFICATIONS** ◀

Rated Output (mV/V)	2.00	Input Impedance	450 +/- 10 ohms
Nonlinearity	+/- 0.05% FS	Output Impedance	480 +/- 5 ohms
Hysteresis	+/- 0.03% FS	Insulation Resistance	5000 Megohms
Repeatability	+/- 0.01% FS	Excitation Voltage	10V AC/DC (20V Max)
Creep (30 minutes)	+/- 0.03% FS	Compensated Temperature Range	-10°C - +40°C
Zero Balance	+/- 1.00% FS	Operating Temperature Range	-20°C - +60°C
Temperature Effect on Zero	+/- 0.0027% of rated output/°C	Safe Overload	150% FS
Temperature Effect on Output	+/- 0.0015% of applied load/°C	Cable Length	50' Standard Cable
Cable Color Code	Input Output	Seal Type	Hermetically Sealed, IP67
	Green +Excitation White +Signal		
	Black -Excitation Red -Signal		