

# CG-26S7

▶ **ROCKER COLUMN**

▶ **STAINLESS STEEL**

Hermetically Sealed

NTEP 1:10,000 Class III Multiple Cell

**CENTRAL CAROLINA SCALE, INC 5393 FARRELL ROAD SANFORD NC 27330 (919) 776-7737**



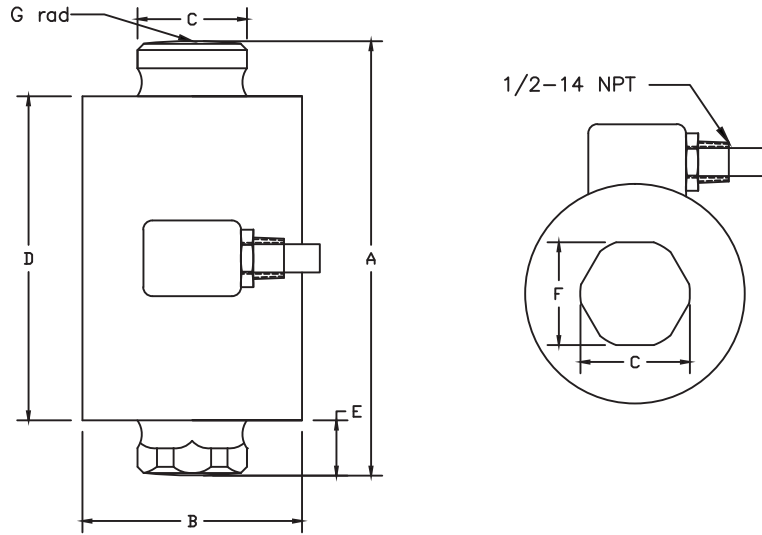
**CG-26S7 ORDER INFORMATION**      **PRICING**      **SUGGESTED LIST PRICE**

20t	\$ 790.00
30t	\$ 807.00
50t	\$1100.00
100t	\$2300.00

**INTERCHANGEABLE PRODUCTS**

Toledo.....	20t.....	71201708
Toledo.....	30t.....	71201709
Toledo.....	50t.....	71201710
Toledo.....	100t.....	71201711

Main Dimensions and Accessories



RATED CAPACITY	DIMENSIONS							
	A	B	C	D	E	F	G	
20t-30t	5.91	2.99	1.49	4.41	0.75	1.40	6.30	
50t	5.91	2.99	1.49	4.41	0.75	1.40	12.00	
100t	5.91	4.02	2.12	4.41	0.75	1.99	12.00	

▶ **SPECIFICATIONS** ◀

Rated Output (mV/V)	2.00	Input Impedance	1160 +/- 10 ohms
Nonlinearity	+/- 0.03% FS	Output Impedance	1000 +/- 5 ohms
Hysteresis	+/- 0.02% FS	Insulation Resistance	5000 Megohms
Repeatability	+/- 0.01% FS	Excitation Voltage	10V AC/DC (20V Max)
Creep (30 minutes)	+/- 0.02% FS	Compensated Temperature Range	0°C - 30°C
Zero Balance	+/- 1.00% FS	Operating Temperature Range	-20°C - +60°C
Temperature Effect on Zero	+/- 0.0027% of rated output/°C	Safe Overload	150% FS
Temperature Effect on Output	+/- 0.0015% of applied load/°C	Cable Length	50' Braided Cable
Cable Color Code	Input                      Output	Seal Type	Hermetically Sealed, IP67
	Green +Excitation      White +Signal		
	Black -Excitation      Red -Signal		