

▶ SINGLE-ENDED SHEAR BEAM

▶ CG-30410 ▶ ALLOY STEEL

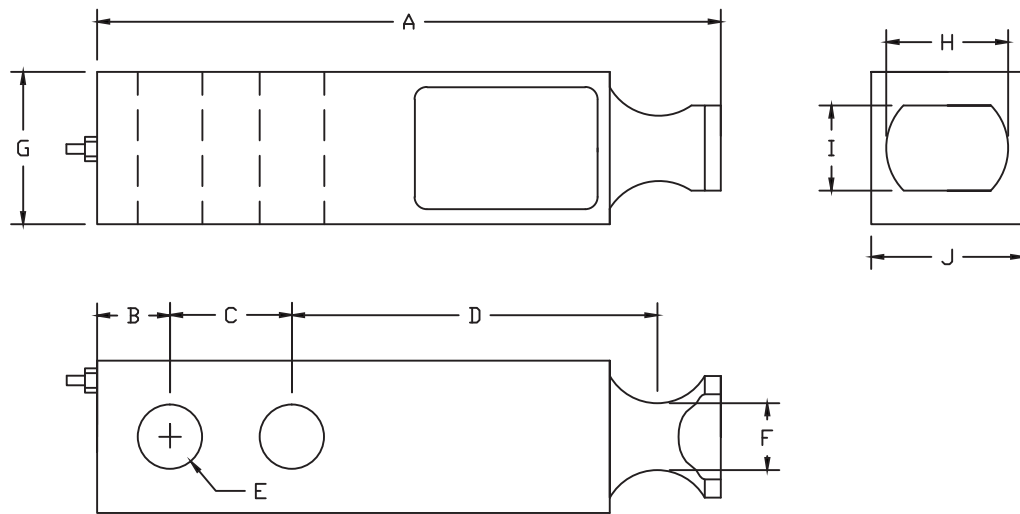
CENTRAL CAROLINA SCALE, INC 5393 FARRELL ROAD SANFORD NC 27330 (919) 776-7737



CG-30410 ORDER INFORMATION	PRICING	SUGGESTED LIST PRICE
1K, 2K, 2.5K, 4K, 5Kse		\$ 165.00
5K, 10K		\$ 275.00

INTERCHANGEABLE PRODUCTS	
Artech.....	30410

Main Dimensions and Accessories



RATED CAPACITY	DIMENSIONS										
	A	B	C	D	E	F	G	H	I	J	
1K-5KSE	5.12	0.60	1.00	3.00	0.53	0.55	1.25	1.00	0.70	1.25	
5KLE-10K	6.75	0.75	1.50	3.75	0.78	0.85	1.50	1.20	0.90	1.50	

▶ SPECIFICATIONS ◀

Rated Output (mV/V)	3.00	Input Impedance	385 +/- 10 ohms
Nonlinearity	+/- 0.03% FS	Output Impedance	350 +/- 3 ohms
Hysteresis	+/- 0.02% FS	Insulation Resistance	5000 Megohms
Repeatability	+/- 0.01% FS	Excitation Voltage	10V AC/DC (20V Max)
Creep (30 minutes)	+/- 0.02% FS	Compensated Temperature Range	-10°C - +40°C
Zero Balance	+/- 1.00% FS	Operating Temperature Range	-20°C - +60°C
Temperature Effect on Zero	+/- 0.0027% of rated output/°C	Safe Overload	150% FS
Temperature Effect on Output	+/- 0.0015% of applied load/°C	Cable Length	20' Standard Cable
Cable Color Code	Input Output	Seal Type	Environmentally-Sealed, IP67
	Green +Excitation White +Signal		
	Black -Excitation Red -Signal		