

CG-42

▶ SINGLE POINT

▶ Aluminum
NTEP 1:5,000 Class III Single Cell

CENTRAL CAROLINA SCALE, INC 5393 FARRELL ROAD SANFORD NC 27330 (919) 776-7737



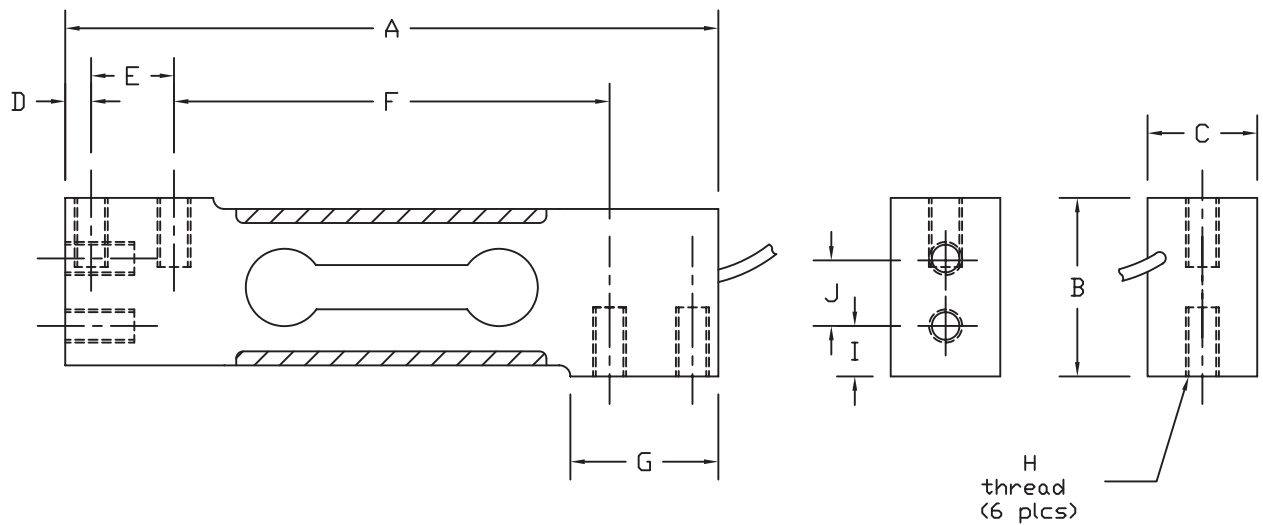
CG-42 ORDER INFORMATION

CG-42 ORDER INFORMATION	PRICING#	SUGGESTED LIST PRICE
* 3 kg		\$160.00
* 5 kg		\$160.00
* 7 kg		\$160.00
10 kg		\$160.00
15 kg		\$160.00
20 kg		\$160.00
30 kg		\$160.00
50 kg		\$160.00
75 kg		\$160.00
100 kg		\$160.00
*NON-NTEP		

INTERCHANGEABLE PRODUCTS

Rice Lake Weighing Systems.....	RL1042
Rice Lake Weighing Systems.....	RLSP4
Revere.....	642
Tedea.....	1042
HBM.....	SP4
Scaime.....	AG
CAS.....	BCA
Artech.....	879
Cardinal.....	TSP
Flintec.....	PC 42

Main Dimensions and Accessories



RATED CAPACITY	DIMENSIONS										
	A	B	C	D	E	F	G	H	I	J	
3-30KG	5.91	1.575	.787	0.24	0.75	3.937	1.339	1/4-20UNC X 0.44dp	0.37	0.75	
50-100KG	5.91	1.575	.992	0.24	0.75	3.937	1.339	1/4-20UNC X 0.44dp	0.37	0.75	

SPECIFICATIONS

Rated Output (mV/V)	2.00 +/- 10%	Input Impedance	410 +/- 10 ohms
Nonlinearity	+/- 0.02% FS	Output Impedance	350 +/- 3 ohms
Hysteresis	+/- 0.02% FS	Insulation Resistance	5000 Megohms
Repeatability	+/- 0.02% FS	Excitation Voltage	10V AC/DC (20V Max)
Creep (30 minutes)	+/- 0.03% FS	Compensated Temperature Range	-10°C - +40°C
Zero Balance	+/- 1.00% FS	Operating Temperature Range	-20°C - +60°C
Temperature Effect on Zero	+/- 0.002% of rated output/°C	Safe Overload	150% FS
Temperature Effect on Output	+/- 0.001% of applied load/°C	Cable Length	10' 4 Conductor Cable
Cable Color Code		Seal Type	Environmentally Sealed, IP67
Input	Output	Max Platform Size:	400 X 400 mm
Green +Excitation	Red +Signal		
Black -Excitation	White -Signal		