

CG-5223

▶ **DOUBLE-ENDED BEAM**

▶ **ALLOY STEEL**

NTEP 1:10,000 Class III Multiple Cell

CENTRAL CAROLINA SCALE, INC 5393 FARRELL ROAD SANFORD NC 27330 (919) 776-7737



CG-5223 ORDER INFORMATION PRICING SUGGESTED LIST PRICE

40K, 50K	\$ 850.00
60K, 65K	\$ 850.00
75K, 100K	\$ 907.50
125K	\$ 907.50

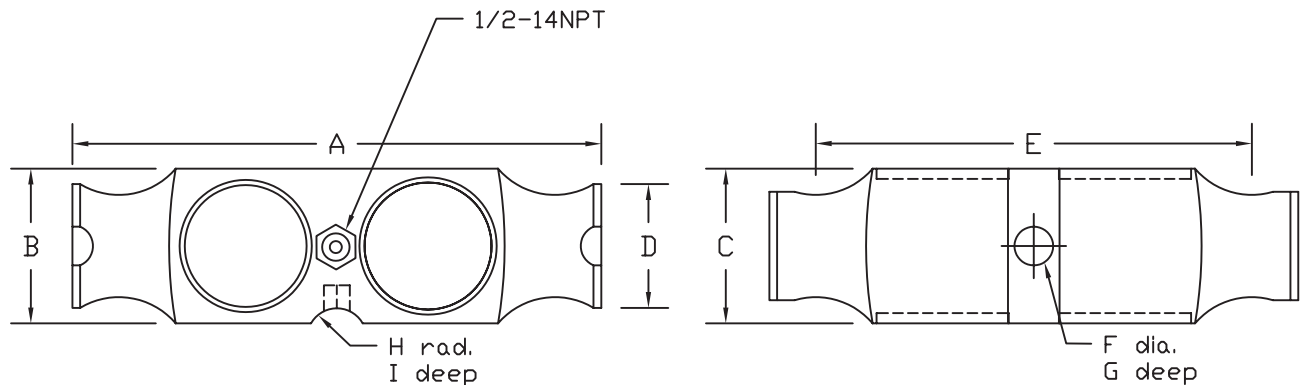
INTERCHANGEABLE PRODUCTS

Rice Lake Weighing Systems.....	RL75223
Revere Transducers.....	5223
Thurman.....	TSC 800
Totalcomp.....	GDE23
Totalcomp.....	TDE23
Unibridge.....	DL90000
Sensortronics.....	65040A-XX-1127W
Artech	80210

WEIGH MODULE AVAILABLE

Coti Global Sensors	CG-5223M
---------------------	----------

Main Dimensions and Accessories



RATED CAPACITY	DIMENSIONS										
	A	B	C	D	E	F	G	H	I		
40K-125K	10.25	3.00	3.00	2.40	8.50	0.75	0.78	1.00	0.28		

→ **SPECIFICATIONS** ←

Rated Output (mV/V)	3.00	Input Impedance	700 +/- 10 ohms
Nonlinearity	+/- 0.03% FS	Output Impedance	700 +/- 5 ohms
Hysteresis	+/- 0.02% FS	Insulation Resistance	5000 Megohms
Repeatability	+/- 0.01% FS	Excitation Voltage	10V AC/DC (20V Max)
Creep (30 minutes)	+/- 0.02% FS	Compensated Temperature Range	-10°C - +40°C
Zero Balance	+/- 1.00% FS	Operating Temperature Range	-20°C - +60°C
Temperature Effect on Zero	+/- 0.0027% of rated output/°C	Safe Overload	150% FS
Temperature Effect on Output	+/- 0.0015% of applied load/°C	Cable Length	50' Braided Shield Cable
Cable Color Code	Input Green +Excitation Black -Excitation	Output White +Signal Red -Signal	Seal Type Environmentally-Sealed, Welded Covers, IP67