

CG-62 & CG-63

▶ **TENSION/COMPRESSION CANISTER**

▶ **STAINLESS STEEL**
Hermetically Sealed

CENTRAL CAROLINA SCALE, INC **5393 FARRELL ROAD** **SANFORD NC 27330** **(919) 776-7737**



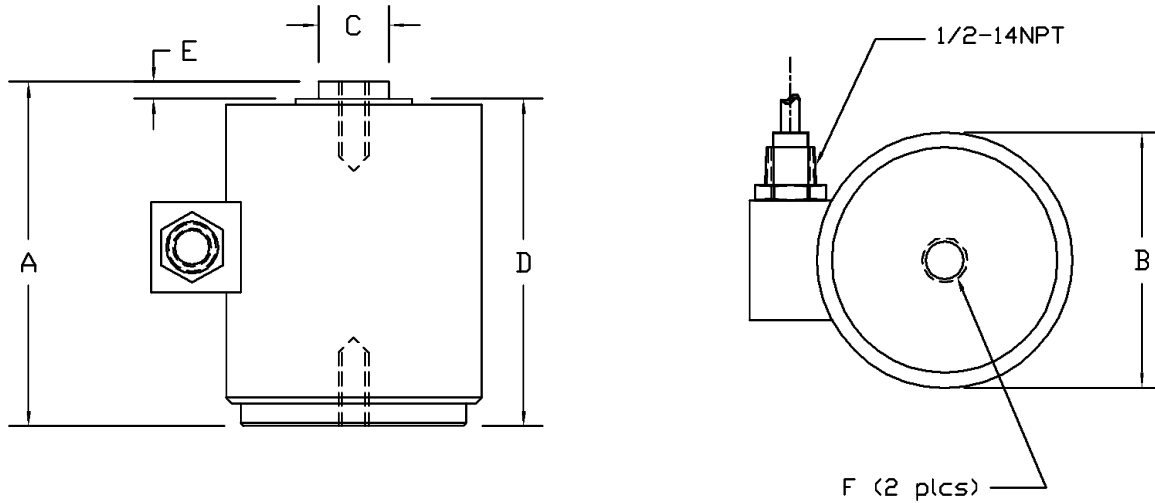
CG-62 & CG-63 ORDER INFORMATION PRICING^{gii} SUGGESTED LIST PRICE

200 lb, 300 lb	\$ 935.00
500 lb, 750 lb, 1000 lb	\$1017.50
2000 lb, 3000 lb	\$1155.00

INTERCHANGEABLE PRODUCTS

Artech.....	90510
Revere.....	62HU
Totalcomp.....	T62
Revere.....	63HU
Totalcomp.....	T63

Main Dimensions and Accessories



RATED CAPACITY	DIMENSIONS						
	A	B	C	D	E	F	
200LB-300LB	3.38	2.75	0.75	2.97	0.41	3/8-24UNF x0.38deep	
500LB-1K	4.56	3.50	0.75	4.27	0.29	1/2-20UNF x0.50deep	
2K-3K	5.00	4.00	0.75	4.71	0.29	1/2-20UNF x0.50deep	

▶ **SPECIFICATIONS** ◀

Rated Output (mV/V)	2.00 or 3.00	Input Impedance	380 +/- 10 ohms
Nonlinearity	+/- 0.05% FS	Output Impedance	350 +/- 5 ohms
Hysteresis	+/- 0.03% FS	Insulation Resistance	5000 Megohms
Repeatability	+/- 0.01% FS	Excitation Voltage	10V AC/DC (20V Max)
Creep (30 minutes)	+/- 0.03% FS	Compensated Temperature Range	-10°C - +40°C
Zero Balance	+/- 1.00% FS	Operating Temperature Range	-20°C - +60°C
Temperature Effect on Zero	+/- 0.0027% of rated output/°C	Safe Overload	150% FS
Temperature Effect on Output	+/- 0.0015% of applied load/°C	Cable Length	50' Standard Cable
Cable Color Code	Input Output	Seal Type	Hermetically Sealed, IP67
	Green +Excitation White +Signal		
	Black -Excitation Red -Signal		