

CG-743

▶ SINGLE-ENDED BEAM

▶ STAINLESS STEEL
NTEP 1:5000 Class ■ Multiple Cell

CENTRAL CAROLINA SCALE, INC 5393 FARRELL ROAD SANFORD NC 27330 (919) 776-7737



CG-743 ORDER INFORMATION PRICING: SUGGESTED LIST PRICE

1K, 3K, 5K	\$ 770.00
10K, 20K	\$ 962.50

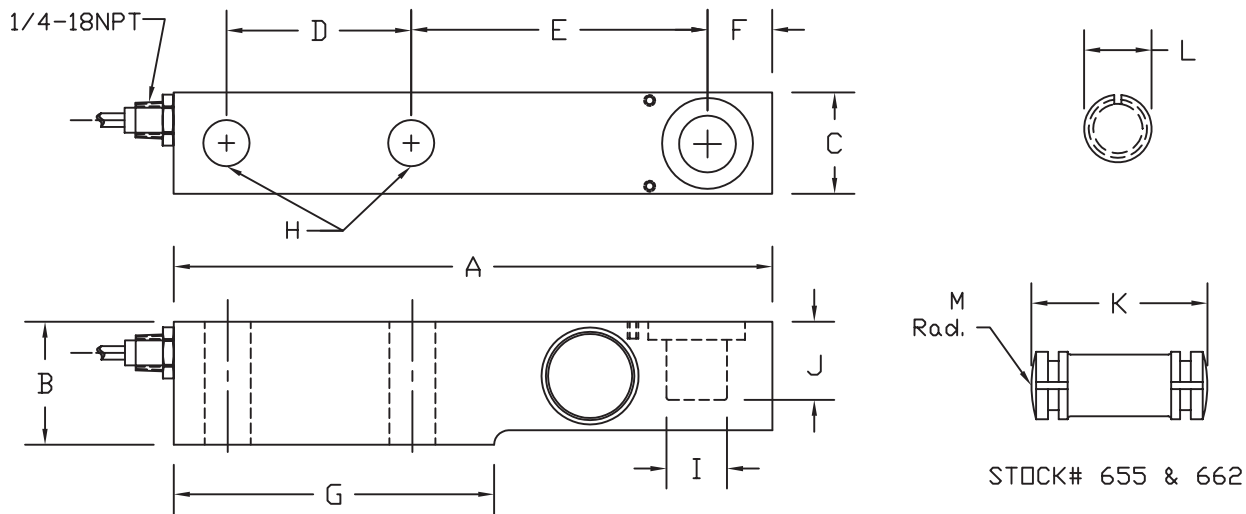
INTERCHANGEABLE PRODUCTS

Toledo.....1K.....	13136900
Toledo.....3K.....	13079300
Toledo.....5K.....	13078900
Toledo.....10K.....	13078400
Toledo.....20K.....	13077500
Toledo.....20K.....	71208066 20K
Toledo.....	743 Mount
Masstron@.....1K.....	ML4311
Masstron@.....3K.....	ML4331
Masstron@.....5K.....	ML4350
Masstron@.....10K.....	ML4410
Masstron@.....20K.....	ML4420
TotalComp.....	TB743

ACCESSORIES DISCOUNT G SUGGESTED LIST PRICE

Stock # 655	Rocker Pin (Dog Bone Style) 1K - 5K	\$ 40.00
Stock # 662	Rocker Pin (Dog Bone Style) 10K	\$ 40.00

Main Dimensions and Accessories



STOCK# 655 & 662

RATED CAPACITY	DIMENSIONS												
	A	B	C	D	E	F	G	H	I	J	K	L	M
1K-5K	8.00	1.70	1.44	2.50	3.88	0.88	3.75	0.52	0.62	1.19	-	-	-
10K	9.25	2.06	1.88	2.62	4.88	0.88	4.31	0.78	0.88	1.19	-	-	-
20K	11.00	2.62	2.38	3.25	5.50	1.25	5.25	1.06	1.25	0.82	-	-	-
#655	-	-	-	-	-	-	-	-	-	-	1.50	0.59	2.00
#662	-	-	-	-	-	-	-	-	-	-	1.73	0.85	2.00

▶ SPECIFICATIONS ◀

Rated Output (mV/V)	2.00	Input Impedance	385 +/- 10 ohms
Nonlinearity	+/- 0.03% FS	Output Impedance	350 +/- 3 ohms
Hysteresis	+/- 0.02% FS	Insulation Resistance	5000 Megohms
Repeatability	+/- 0.01% FS	Excitation Voltage	10V AC/DC (20V Max)
Creep (30 minutes)	+/- 0.02% FS	Compensated Temperature Range	-10°C - +40°C
Zero Balance	+/- 1.00% FS	Operating Temperature Range	-20°C - +60°C
Temperature Effect on Zero	+/- 0.0027% of rated output/°C	Safe Overload	150% FS
Temperature Effect on Output	+/- 0.0015% of applied load/°C	Cable Length	30' Standard Cable
Cable Color Code	Input Output	Seal Type	Environmentally-Sealed, IP67
	Green +Excitation White +Signal		
	Black -Excitation Red -Signal		