

CG-745

▶ SINGLE-ENDED BEAM

▶ STAINLESS STEEL
NTEP 1:5000 Class ■ Multiple Cell

CENTRAL CAROLINA SCALE, INC 5393 FARRELL ROAD SANFORD NC 27330 (919) 776-7737



CG-745 ORDER INFORMATION PRICING SUGGESTED LIST PRICE

500 lb, 1K, 1.25K, 2.5K, 4K	\$ 430.00
5K	\$ 550.00
10K	\$ 650.00

INTERCHANGEABLE PRODUCTS

Toledo.....	TB600363 (1.25K), TB600342 (2.5K), TB600261 (4K)
	TB600364 (10K), TB600343 (5K), TB600529 (500 lb), 745 mount
TotalComp.....	TB745
Rice Lake Weighing Systems.....	RL30745
HBM.....	THC

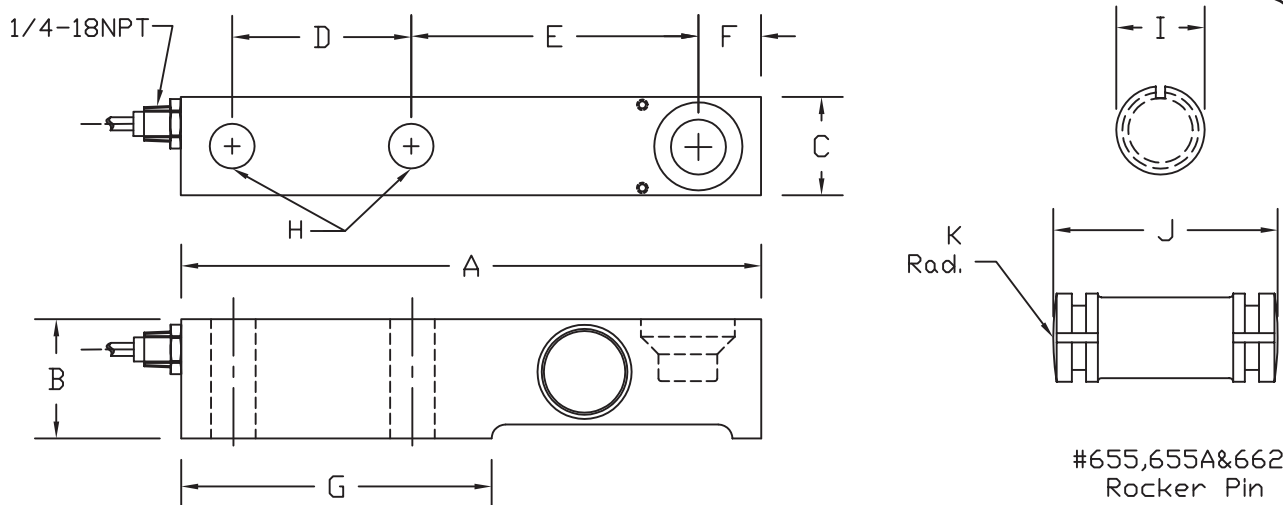
ACCESSORIES DISCOUNT G SUGGESTED LIST PRICE

Stock # 655 & 655A	Rocker Pin (Dog Bone Style) 1K - 5K	\$ 40.00
Stock # 662	Rocker Pin (Dog Bone Style) 10K	\$ 40.00

WEIGH MODULE AVAILABLE

Coti Global Sensors	CG-RTM
---------------------	--------

Main Dimensions and Accessories



RATED CAPACITY	DIMENSIONS											
	A	B	C	D	E	F	G	H	I	J	K	
500-4K	5.25	1.19	1.21	1.00	3.00	0.61	2.27	0.51	-	-	-	
5K	5.38	1.46	1.46	1.00	3.00	0.73	2.27	0.51	-	-	-	
10K	6.75	1.69	1.69	1.50	3.75	0.75	2.91	0.78	-	-	-	
#655	-	-	-	-	-	-	-	-	0.59	1.5	2.00	
#655A	-	-	-	-	-	-	-	-	0.59	1.25	2.00	
#662	-	-	-	-	-	-	-	-	0.85	1.73	2.00	

▶ SPECIFICATIONS ◀

Rated Output (mV/V)	2.00	Input Impedance	385 +/- 10 ohms
Nonlinearity	+/- 0.03% FS	Output Impedance	350 +/- 3 ohms
Hysteresis	+/- 0.02% FS	Insulation Resistance	5000 Megohms
Repeatability	+/- 0.01% FS	Excitation Voltage	10V AC/DC (20V Max)
Creep (30 minutes)	+/- 0.02% FS	Compensated Temperature Range	-10°C - +40°C
Zero Balance	+/- 1.00% FS	Operating Temperature Range	-20°C - +60°C
Temperature Effect on Zero	+/- 0.0027% of rated output/°C	Safe Overload	150% FS
Temperature Effect on Output	+/- 0.0015% of applied load/°C	Cable Length	30' Standard Cable
Cable Color Code	Input Green +Excitation Black -Excitation	Output White +Signal Red -Signal	Seal Type Environmentally-Sealed, IP67