

CG-80210

▶ **DOUBLE-ENDED BEAM**

▶ **ALLOY STEEL**

NTEP 1:10,000 Class III Multiple Cell

CENTRAL CAROLINA SCALE, INC 5393 FARRELL ROAD SANFORD NC 27330 (919) 776-7737



CG-80210 ORDER INFORMATION

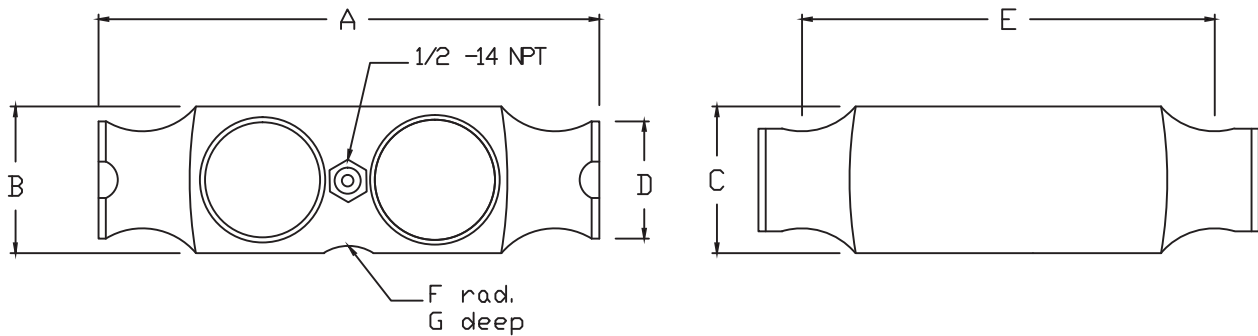
PRICING SUGGESTED LIST PRICE

50K SE	\$ 950.00
60K SE	\$ 950.00

INTERCHANGEABLE PRODUCTS

Sooner Scale.....	80210
Airway.....50K SE.....	AW900
Airway.....60K SE.....	AW900B
Sensortronics.....	65040-1134
Revere.....	9423

Main Dimensions and Accessories



RATED CAPACITY	DIMENSIONS									
	A	B	C	D	E	F	G			
50Kse-60Kse	8.25	2.45	1.94	2.00	7.25	0.50	0.07			

→ **SPECIFICATIONS** ←

Rated Output (mV/V)	3.00	Input Impedance	700 +/- 10 ohms
Nonlinearity	+/- 0.03% FS	Output Impedance	700 +/- 5 ohms
Hysteresis	+/- 0.02% FS	Insulation Resistance	5000 Megohms
Repeatability	+/- 0.01% FS	Excitation Voltage	10V AC/DC (20V Max)
Creep (30 minutes)	+/- 0.02% FS	Compensated Temperature Range	-10°C - +40°C
Zero Balance	+/- 1.00% FS	Operating Temperature Range	-20°C - +60°C
Temperature Effect on Zero	+/- 0.0027% of rated output/°C	Safe Overload	150% FS
Temperature Effect on Output	+/- 0.0015% of applied load/°C	Cable Length	50' Braided Shield Cable
Cable Color Code	Input Output	Seal Type	Environmentally-Sealed, IP67
	Green +Excitation White +Signal		
	Black -Excitation Red -Signal		