

CG-92 & CG-93

► **COMPRESSION CANISTER**

► **STAINLESS STEEL**
Hermetically Sealed

CENTRAL CAROLINA SCALE, INC 5393 FARRELL ROAD SANFORD NC 27330 (919) 776-7737



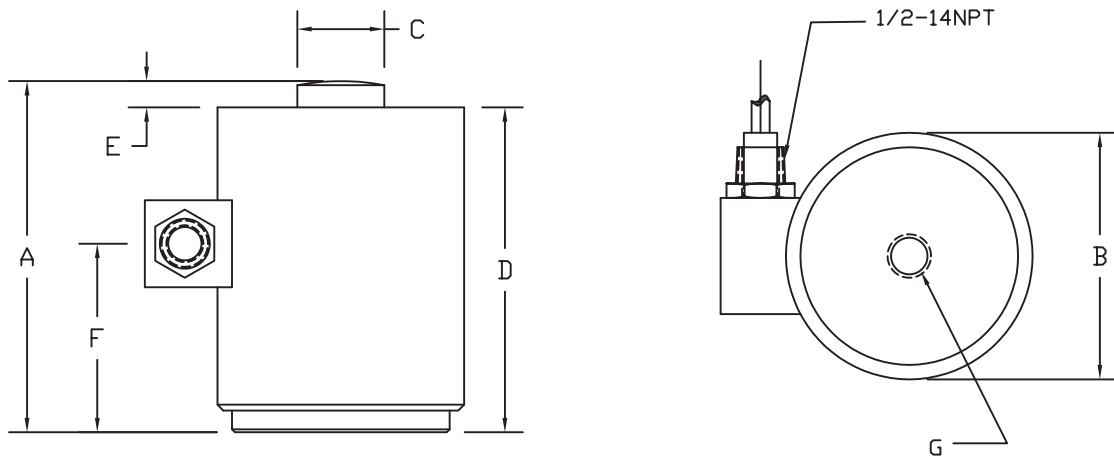
CG-92 & CG-93 ORDER INFORMATION **PRICING** **SUGGESTED LIST PRICE**

5K	\$1265.00
10K	\$1265.00
15K	\$1292.00
20K	\$1292.00
25K	\$1292.00
50K	\$1292.00
100K	\$1430.00
150K	\$1870.00
200K	\$1870.00

INTERCHANGEABLE PRODUCTS

Revere.....	92
Totalcomp.....	T92
Revere.....	93
Totalcomp.....	T93

Main Dimensions and Accessories



RATED CAPACITY	DIMENSIONS									
	A	B	C	D	E	F	G			
5K-10K	4.00	3.53	1.00	3.56	0.40	1.50	1/2-20UNF x.50deep			
15K-25K	5.00	3.53	1.00	4.56	0.40	2.00	1/2-20UNF x.50deep			
50K	6.00	4.25	1.50	5.44	0.50	3.25	3/4-16UNF x.75deep			
100K	8.50	5.03	1.75	7.81	0.63	5.25	3/4-16UNF x.75deep			
150K-200K	11.03	6.53	2.50	10.44	0.63	6.00	3/4-16UNF x.75deep			

► **SPECIFICATIONS** ◀

Rated Output (mV/V)	2.00 or 3.00%	Input Impedance	380 +/- 10 ohms
Nonlinearity	+/- 0.05% FS	Output Impedance	350 +/- 5 ohms
Hysteresis	+/- 0.03% FS	Insulation Resistance	5000 Megohms
Repeatability	+/- 0.01% FS	Excitation Voltage	10V AC/DC (20V Max)
Creep (30 minutes)	+/- 0.03% FS	Compensated Temperature Range	-10°C - +40°C
Zero Balance	+/- 1.00% FS	Operating Temperature Range	-20°C - +60°C
Temperature Effect on Zero	+/- 0.0027% of rated output/°C	Safe Overload	150% FS
Temperature Effect on Output	+/- 0.0015% of applied load/°C	Cable Length	50' Standard Cable
Cable Color Code	Input Output	Seal Type	Hermetically Sealed, IP67
	Green +Excitation White +Signal		
	Black -Excitation Red -Signal		