

CG-94

► **COMPRESSION CANISTER**

► **ALLOY STEEL**
STAINLESS STEEL

CENTRAL CAROLINA SCALE, INC 5393 FARRELL ROAD SANFORD NC 27330 (919) 776-7737

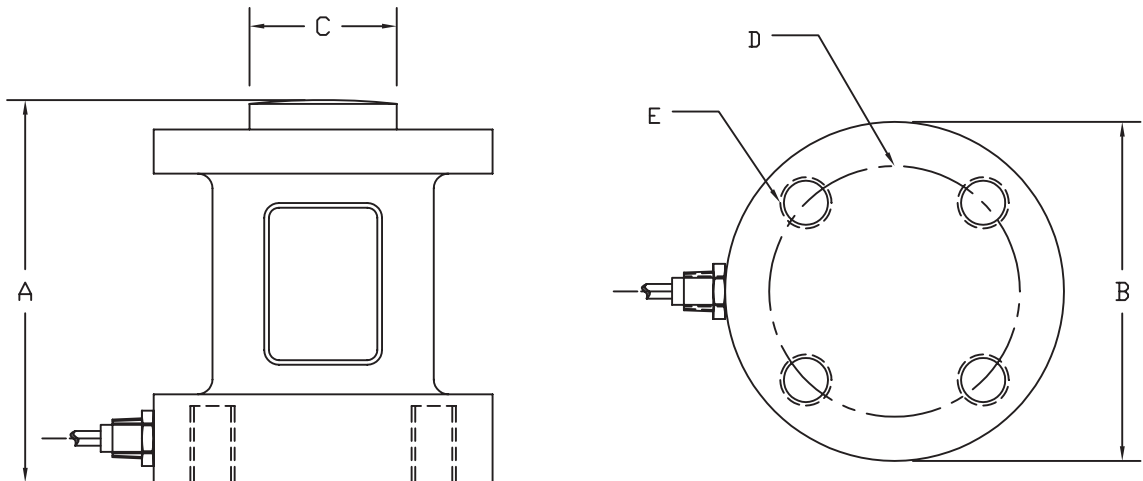


CG-94 ORDER INFORMATION	PRICING ^{††}	SUGGESTED LIST PRICE
Alloy Steel		
50K		\$ 840.00
100K		\$ 850.00
200K		\$1250.00
300K		\$1250.00
Stainless Steel		
50K		\$ 990.00
100K		\$1000.00
200K		\$1400.00
300K		\$1400.00

WEIGH MODULE AVAILABLE
 Coti Global Sensors..... CG94M

INTERCHANGEABLE PRODUCTS
 Sensortronics..... 65094

Main Dimensions and Accessories



RATED CAPACITY	DIMENSIONS					
	A	B	C	D	E	
50K	3.25	2.88	1.25	2.00	3/8-24UNF x.40deep	
100K	5.00	3.94	2.31	3.00	1/2-20UNF x.88deep	
200K	6.62	5.94	3.00	5.00	3/4-16UNF x.88deep	
300K	7.00	5.94	3.00	5.00	3/4-16UNF x.88deep	

► **SPECIFICATIONS** ◀

Rated Output (mV/V)	2.00	Input Impedance	385 +/- 10 ohms
Nonlinearity	+/- 0.05% FS	Output Impedance	350 +/- 5 ohms
Hysteresis	+/- 0.03% FS	Insulation Resistance	5000 Megohms
Repeatability	+/- 0.01% FS	Excitation Voltage	10V AC/DC (20V Max)
Creep (30 minutes)	+/- 0.03% FS	Compensated Temperature Range	-10°C - +40°C
Zero Balance	+/- 1.00% FS	Operating Temperature Range	-20°C - +60°C
Temperature Effect on Zero	+/- 0.0027% of rated output/°C	Safe Overload	150% FS
Temperature Effect on Output	+/- 0.0015% of applied load/°C	Cable Length	50' Braided Shield Cable
Cable Color Code	Input Green +Excitation Black -Excitation	Output White +Signal Red -Signal	Seal Type Environmentally-Sealed, IP67