

# CG-CC22

► **COMPRESSION CANISTER**

► **STAINLESS STEEL**  
Hermetically Sealed

**CENTRAL CAROLINA SCALE, INC 5393 FARRELL ROAD SANFORD NC 27330 (919) 776-7737**



**CG-CC22 ORDER INFORMATION**      PRICING<sup>iii</sup>      SUGGESTED LIST PRICE

50K	\$1320.00
100K	\$1650.00

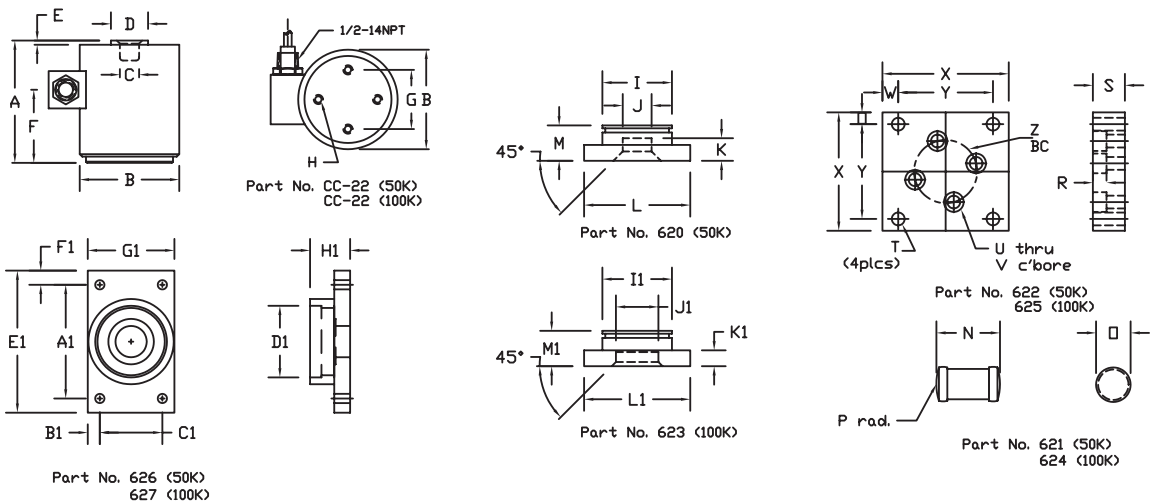
**ACCESSORIES**      MOUNTING HARDWARE      DISCOUNT G      SUGGESTED LIST PRICE

620	50,000 lb	Cap	\$ 350.00
621	50,000 lb	Pin	\$ 115.00
622	50,000 lb	Bottom Base Plate	\$ 535.00
623	100,000 lb	Cap	\$ 535.00
624	100,000 lb	Pin	\$ 115.00
625	100,000 lb	Bottom Base Plate	\$ 770.00
626	50,000 lb	Casting Upper Part	\$ 300.00
627	100,000 lb	Casting Upper Part	\$ 400.00

**INTERCHANGEABLE PRODUCTS**

Toledo.....	B10883600A
Toledo.....	B10887700A
Totalcomp.....	T752

Main Dimensions and Accessories



RATED CAPACITY	DIMENSIONS																		
	A	B	C	D	E	F	G	H	I	J	K	L	M	N	O	P	R	S	T
50K-Load Cell	6.00	4.50	1.03	1.80	0.15	3.75	3.00	5/8-18UNF x 0.50dp	-	-	-	-	-	-	-	-	-	-	-
100K-Load Cell	8.12	6.00	1.53	2.28	0.20	4.75	4.00	3/4-16UNF x 0.75dp	-	-	-	-	-	-	-	-	-	-	-
620-50K Cap	-	-	-	-	-	-	-	-	2.47	1.02	0.80	3.75	1.25	-	-	-	-	-	-
621-50K Pin	-	-	-	-	-	-	-	-	-	-	-	-	-	1.81	0.98	12.00	-	-	-
622-50K Base	-	-	-	-	-	-	-	-	-	-	-	-	-	-	-	-	0.75	2.00	0.70
624-100K Pin	-	-	-	-	-	-	-	-	-	-	-	-	-	2.75	1.45	16.00	-	-	-
625-100K Base	-	-	-	-	-	-	-	-	-	-	-	-	-	-	-	-	1.00	2.00	0.82
622-50K Base	U	V	W	X	Y	Z	A1	B1	C1	D1	E1	F1	G1	H1	I1	J1	K1	L1	M1
623-100K Cap	0.70	1.20	1.00	6.00	4.00	3.00	-	-	-	-	-	-	-	-	-	-	-	-	-
625-100K Base	0.82	1.25	1.00	8.00	6.00	4.00	-	-	-	-	-	-	-	-	-	2.70	1.50	0.67	3.75
626-50K Upper Cast.	-	-	-	-	-	-	7.50	1.00	4.00	4.62	10.00	1.25	6.00	2.13	-	-	-	-	-
627-100K Upper Cast.	-	-	-	-	-	-	10.00	1.06	5.50	6.32	12.50	1.25	7.62	3.50	-	-	-	-	-

► **SPECIFICATIONS** ◀

Rated Output (mV/V)	2.00	Input Impedance	820 +/- 10 ohms
Nonlinearity	+/- 0.05% FS	Output Impedance	775 +/- 5 ohms
Hysteresis	+/- 0.03% FS	Insulation Resistance	5000 Megohms
Repeatability	+/- 0.01% FS	Excitation Voltage	10V AC/DC (20V Max)
Creep (30 minutes)	+/- 0.03% FS	Compensated Temperature Range	-10°C - +40°C
Zero Balance	+/- 1.00% FS	Operating Temperature Range	-20°C - +60°C
Temperature Effect on Zero	+/- 0.0027% of rated output/°C	Safe Overload	150% FS
Temperature Effect on Output	+/- 0.0015% of applied load/°C	Cable Length	50' 6 Conductor Cable
Cable Color Code		Seal Type	Hermetically Sealed, IP67
<b>Input</b>	<b>Output</b>	<b>Sense Leads</b>	
White +Excitation	Green +Signal	Yellow +Sense	
Blue -Excitation	Black -Signal	Red -Sense	