

# CG-CP22

► **COMPRESSION CANISTER**

► **STAINLESS STEEL**  
Hermetically Sealed

**CENTRAL CAROLINA SCALE, INC 5393 FARRELL ROAD SANFORD NC 27330 (919) 776-7737**



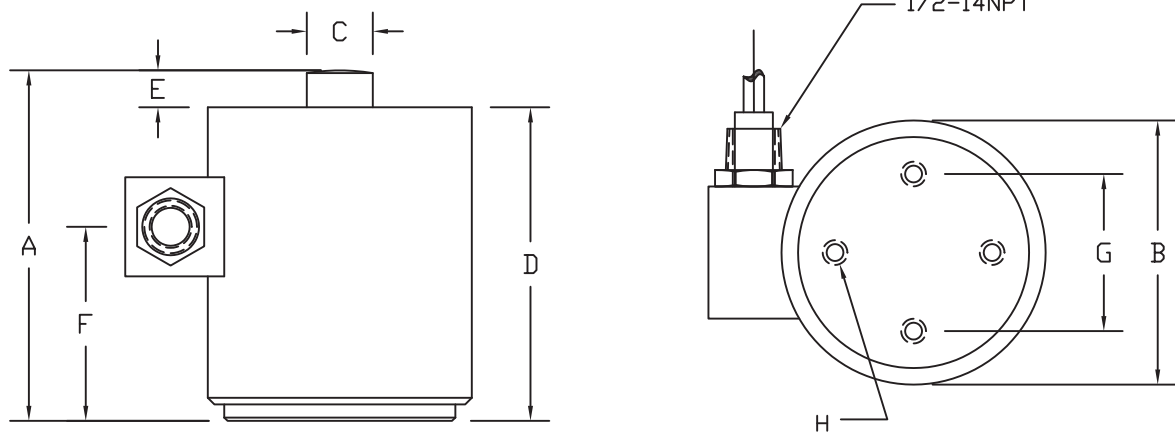
**CG-CP22 ORDER INFORMATION** DISC PRICING<sup>ii</sup> SUGGESTED LIST PRICE

5K	\$1265.00
10K	\$1265.00
15K	\$1430.00
20K	\$1430.00
50K	\$1430.00

**INTERCHANGEABLE PRODUCTS**

Toledo.....	04966Series
	04967Series
	04968Series
Totalcomp.....	T496

Main Dimensions and Accessories



RATED CAPACITY	DIMENSIONS								
	A	B	C	D	E	F	G	H	
5K-10K	5.31	4.00	1.00	4.71	0.56	2.94	2.38	3/8-24UNF x.62deep	
15K-50K	7.12	4.50	1.25	6.30	0.75	3.26	2.38	3/8-24UNF x.62deep	

► **SPECIFICATIONS** ◀

Rated Output (mV/V)	2.00	Input Impedance	260 +/- 10 ohms
Nonlinearity	+/- 0.05% FS	Output Impedance	240 +/- 5 ohms
Hysteresis	+/- 0.03% FS	Insulation Resistance	5000 Megohms
Repeatability	+/- 0.01% FS	Excitation Voltage	10V AC/DC (20V Max)
Creep (30 minutes)	+/- 0.03% FS	Compensated Temperature Range	-10°C - +40°C
Zero Balance	+/- 1.00% FS	Operating Temperature Range	-20°C - +60°C
Temperature Effect on Zero	+/- 0.0027% of rated output/°C	Safe Overload	150% FS
Temperature Effect on Output	+/- 0.0015% of applied load/°C	Cable Length	50' Standard Cable
Cable Color Code	Input Green +Excitation Black -Excitation	Output White +Signal Red -Signal	Seal Type Hermetically Sealed, IP67