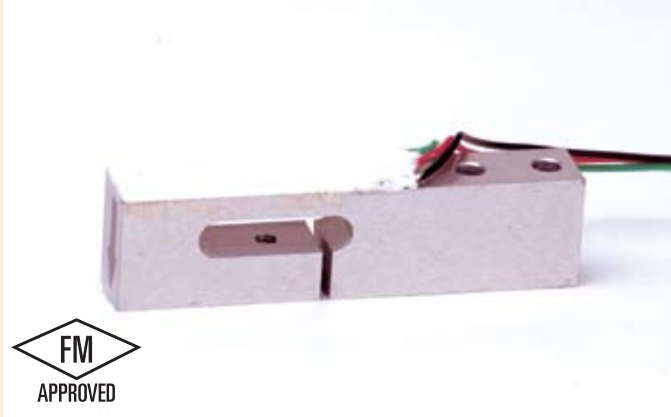


CG-FB

▶ SINGLE POINT

▶ ALUMINUM

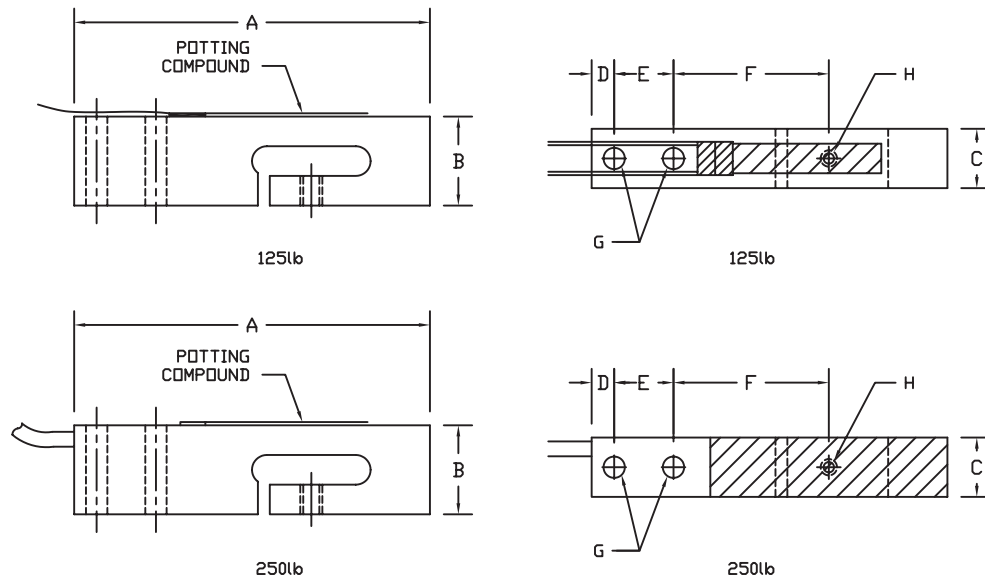
CENTRAL CAROLINA SCALE, INC 5393 FARRELL ROAD SANFORD NC 27330 (919) 776-7737



CG-FB ORDER INFORMATION	PRICING ⁱⁱ	SUGGESTED LIST PRICE
125 lb		\$ 570.00
250 lb		\$ 570.00

INTERCHANGEABLE PRODUCTS	
Fairbanks.....	3-551761-1
Fairbanks.....	3-55383-2

Main Dimensions and Accessories



RATED CAPACITY	DIMENSIONS										
	A	B	C	D	E	F	G	H			
125LB	3.00	0.75	0.50	0.19	0.50	1.31	0.18	8-32UNF			
250LB	3.00	0.85	0.75	0.19	0.50	1.31	0.18	10-32UNF			

SPECIFICATIONS

Rated Output (mV/V)	2.00 +/- 10%	Input Impedance	385 +/- 10 ohms
Nonlinearity	+/- 0.03% FS	Output Impedance	350 +/- 3 ohms
Hysteresis	+/- 0.02% FS	Insulation Resistance	5000 Megohms
Repeatability	+/- 0.02% FS	Excitation Voltage	10V AC/DC (20V Max)
Creep (30 minutes)	+/- 0.03% FS	Compensated Temperature Range	-10°C - +40°C
Zero Balance	+/- 1.00% FS	Operating Temperature Range	-20°C - +60°C
Temperature Effect on Zero	+/- 0.002% of rated output/°C	Safe Overload	150% FS
Temperature Effect on Output	+/- 0.001% of applied load/°C	Cable Length	10' Standard Cable
Cable Color Code	Input	Output	Seal Type
	Green +Excitation	White +Signal	Environmentally Sealed, IP67
	Black -Excitation	Red -Signal	