

# CG-JRT

▶ TORSION RING TRANSDUCER

▶ ALLOY STEEL

CENTRAL CAROLINA SCALE, INC 5393 FARRELL ROAD SANFORD NC 27330 (919) 776-7737



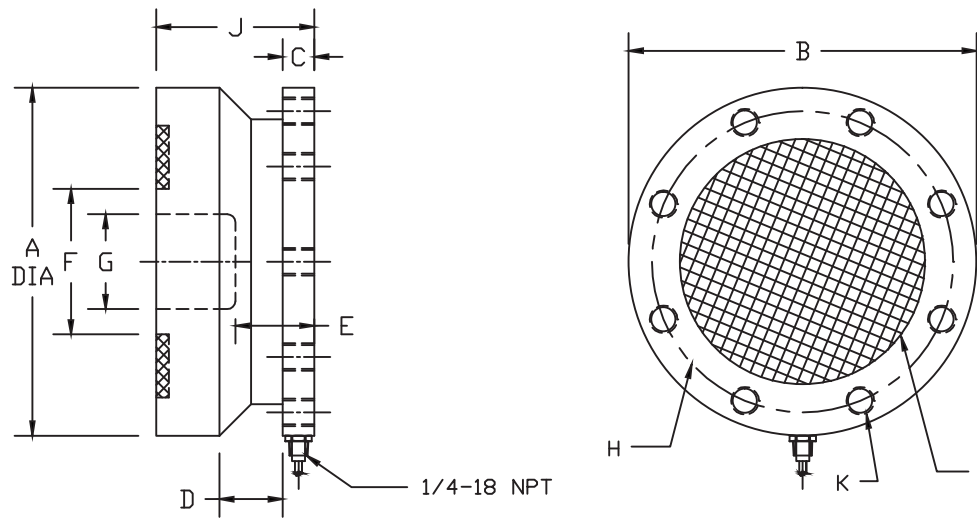
**CG-JRT ORDER INFORMATION**      PRICING<sup>##</sup>      SUGGESTED LIST PRICE

20K	\$ 900.00
50K	\$ 995.00
100K	\$1100.00

**INTERCHANGEABLE PRODUCTS**

HBM.....	JRT
Toledo.....	600862-035 50K
Toledo.....	600864-035 100K
Toledo.....	790

Main Dimensions and Accessories



RATED CAPACITY	DIMENSIONS											
	A	B	C	D	E	F	G	H	I	J	K	
20K	4.416	4.50	0.50	0.75	1.50	1.69	1.00	3.92	3.25	2.00	3/8-24UNF	
50K	5.416	5.50	0.50	1.00	1.50	2.19	1.50	4.76	3.75	2.50	7/16-20UNF	
100K	5.416	5.50	0.50	1.00	1.50	2.19	1.50	4.76	3.75	2.63	7/16-20UNF	

→ SPECIFICATIONS ←

Rated Output (mV/V)	2.00	Input Impedance	750 +/- 10 ohms
Nonlinearity	+/- 0.05% FS	Output Impedance	700 +/- 5 ohms
Hysteresis	+/- 0.03% FS	Insulation Resistance	5000 Megohms
Repeatability	+/- 0.01% FS	Excitation Voltage	10V AC/DC (20V Max)
Creep (30 minutes)	+/- 0.03% FS	Compensated Temperature Range	-10°C - +40°C
Zero Balance	+/- 1.00% FS	Operating Temperature Range	-20°C - +60°C
Temperature Effect on Zero	+/- 0.0027% of rated output/°C	Safe Overload	150% FS
Temperature Effect on Output	+/- 0.0015% of applied load/°C	Cable Length	50' Standard Cable
Cable Color Code	Input                      Output	Seal Type	Environmentally-Sealed, IP67
	Green +Excitation      White +Signal		
	Black -Excitation      Red -Signal		