

▶ CG-MK15

▶ SINGLE-ENDED BEAM

▶ STAINLESS STEEL

Environmentally-Sealed, IP67

NTEP 1:5000 Class III Multiple Cell

CENTRAL CAROLINA SCALE, INC 5393 FARRELL ROAD SANFORD NC 27330 (919) 776-7737



CG-MK15 ORDER INFORMATION

PRICING

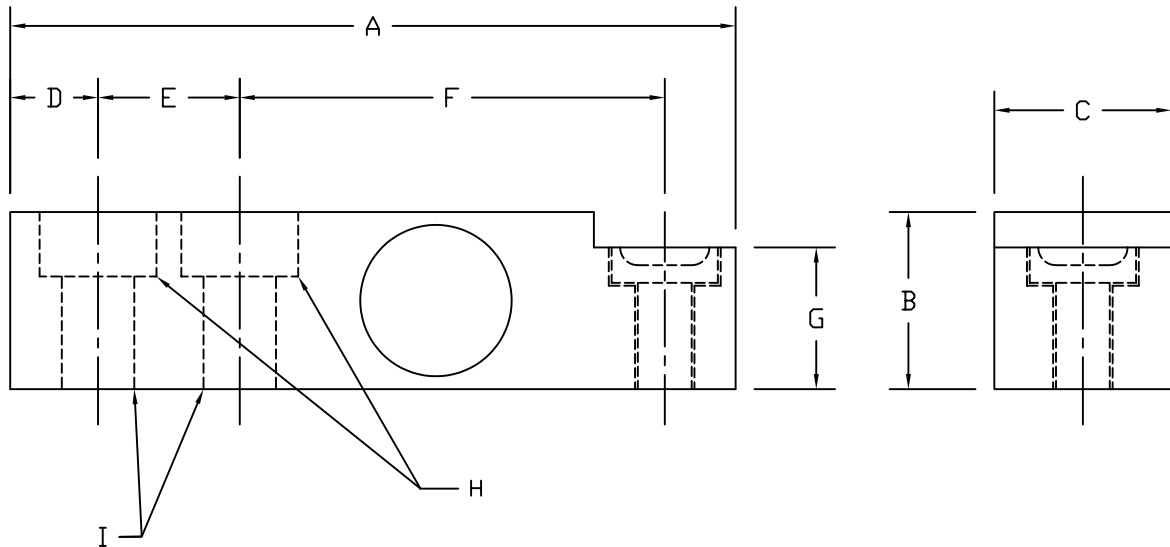
SUGGESTED LIST PRICE

500 lb	\$ 795.00
1K	\$ 795.00
2.5K	\$ 795.00
4K	\$ 795.00
5KSe	\$ 795.00

INTERCHANGEABLE PRODUCTS

Totalcomp.....	TBMK
NCL.....	Mark 15

Main Dimensions and Accessories



RATED CAPACITY	DIMENSIONS									
	A	B	C	D	E	F	G	H	I	
500-5KSE	5.12	1.25	1.25	0.62	1.00	3.00	1.00	0.81	0.53	

▶ SPECIFICATIONS ◀

Rated Output (mV/V)	3.00	Input Impedance	385 +/- 10 ohms
Nonlinearity	+/- 0.03% FS	Output Impedance	350 +/- 3 ohms
Hysteresis	+/- 0.02% FS	Insulation Resistance	5000 Megohms
Repeatability	+/- 0.01% FS	Excitation Voltage	10V AC/DC (20V Max)
Creep (30 minutes)	+/- 0.02% FS	Compensated Temperature Range	-10°C - +40°C
Zero Balance	+/- 1.00% FS	Operating Temperature Range	-20°C - +60°C
Temperature Effect on Zero	+/- 0.0027% of rated output/°C	Safe Overload	150% FS
Temperature Effect on Output	+/- 0.0015% of applied load/°C	Cable Length	20' Standard Cable
Cable Color Code	Input	Output	Seal Type
	Green +Excitation	White +Signal	Environmentally-Sealed, IP67
	Black -Excitation	Red -Signal	