

CG-SB250

▶ SINGLE-ENDED BEAM

▶ STAINLESS STEEL
NTEP 1:5000 Class III Multiple Cell

CENTRAL CAROLINA SCALE, INC 5393 FARRELL ROAD SANFORD NC 27330 (919) 776-7737



CG-SB250 ORDER INFORMATION PRICINGⁱⁱⁱ SUGGESTED LIST PRICE

2.5K	\$ 440.00
5K	\$ 440.00
10K	\$ 583.00
20K	\$ 797.50

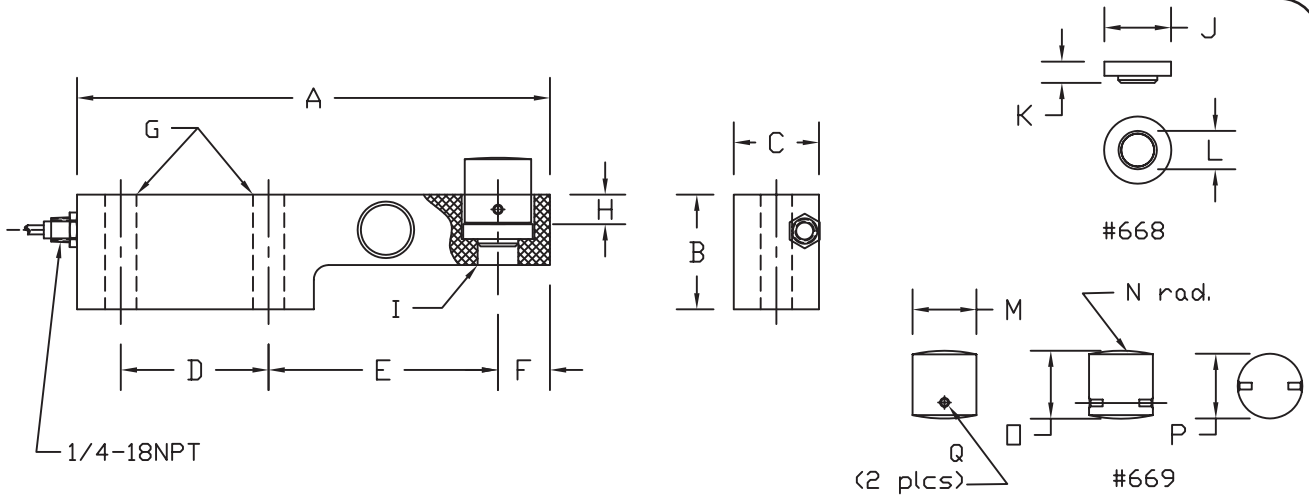
ACCESSORIES DISCOUNT G SUGGESTED LIST PRICE

668 Insert	\$ 12.00
669 Rocker Washer	\$ 25.00
670 Spring Pin	\$ 3.50

INTERCHANGEABLE PRODUCTS

Cardinal.....	SB2500S
Cardinal.....	SB5000S
Cardinal.....	SB10000S
Cardinal.....	SB20000S
Rice Lake Weighing Systems.....	RLSB250

Main Dimensions and Accessories



RATED CAPACITY	DIMENSIONS																
	A	B	C	D	E	F	G	H	I	J	K	L	M	N	P	Q	
2.5K	8.00	1.94	1.44	2.50	3.88	0.88	0.53	0.50	3/4-16UNF	-	-	-	-	-	-	-	
5K	8.00	1.94	1.44	2.50	3.88	0.88	0.53	0.50	3/4-16UNF	-	-	-	-	-	-	-	
10K	9.00	2.46	2.00	2.00	5.25	1.00	0.78	0.50	0.68 DIA	-	-	-	-	-	-	-	
20K	9.00	2.46	2.00	2.00	5.25	1.00	0.78	0.50	0.68 DIA	-	-	-	-	-	-	-	
668 insert	-	-	-	-	-	-	-	-	-	1.175	.375	0.68	-	-	-	-	
669 rocker pin	-	-	-	-	-	-	-	-	-	-	-	-	1.125	6.00	1.125	1.125	.125x.25

▶ SPECIFICATIONS ◀

Rated Output (mV/V)	2.00	Input Impedance	385 +/- 10 ohms
Nonlinearity	+/- 0.03% FS	Output Impedance	350 +/- 3 ohms
Hysteresis	+/- 0.02% FS	Insulation Resistance	5000 Megohms
Repeatability	+/- 0.01% FS	Excitation Voltage	10V AC/DC (20V Max)
Creep (30 minutes)	+/- 0.02% FS	Compensated Temperature Range	-10°C - +40°C
Zero Balance	+/- 1.00% FS	Operating Temperature Range	-20°C - +60°C
Temperature Effect on Zero	+/- 0.0027% of rated output/°C	Safe Overload	150% FS
Temperature Effect on Output	+/- 0.0015% of applied load/°C	Cable Length	30' Standard Cable
Cable Color Code	Input Output	Seal Type	Environmentally-Sealed, IP67
	Green +Excitation White +Signal		
	Black -Excitation Red -Signal		