

CG-SMB6-2

▶ SINGLE-ENDED BEAM

▶ ALLOY STEEL

CENTRAL CAROLINA SCALE, INC 5393 FARRELL ROAD SANFORD NC 27330 (919) 776-7737



CG-SMB6-2 ORDER INFORMATION DISCO... PRICING SUGGESTED LIST PRICE

CG-SMB6-2 (2000 ohms Bridge)	
35K	\$1584.00
45K	\$1584.00
* Spacer Plate Included	

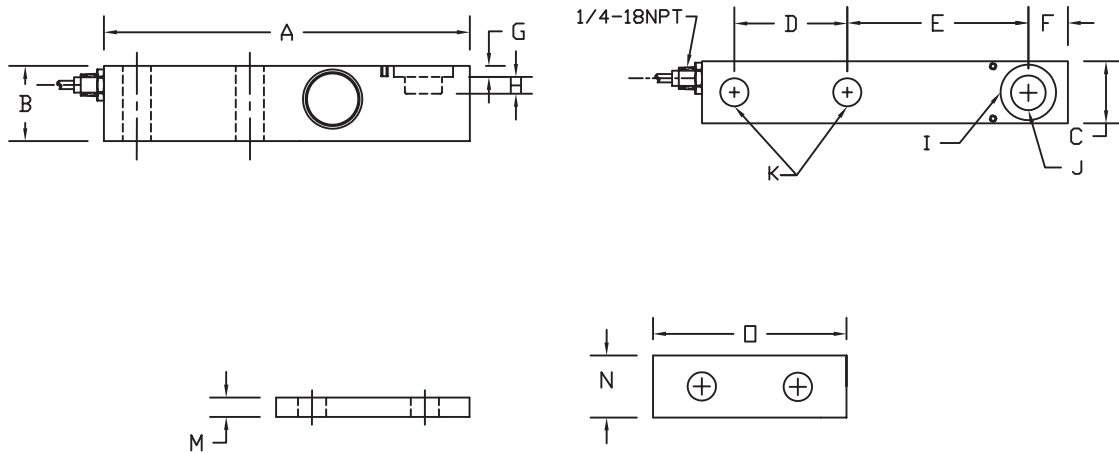
ACCESSORIES DISCOUNT G SUGGESTED LIST PRICE

653 Spacer Plate	\$ 85.00
------------------	----------

INTERCHANGEABLE PRODUCTS

Masstron.....	ML4447
Masstron.....	ML4449
Toledo.....	1332900B
TotalComp.....	TBM42

Main Dimensions and Accessories



#653 SPACER PLATE

RATED CAPACITY	DIMENSIONS													
	A	B	C	D	E	F	G	H	I	J	K	M	N	O
35K-45K	12.50	2.75	2.75	3.50	6.25	1.50	0.38	0.94	2.00	1.50	1.31	-	-	-
SPACER PLATE	-	-	-	-	-	-	-	-	-	-	-	.50	2.75	6.00

▶ SPECIFICATIONS ◀

Rated Output (mV/V)	2.00	Input Impedance	2150 +/- 10 ohms
Nonlinearity	+/- 0.03% FS	Output Impedance	2000 +/- 5 ohms
Hysteresis	+/- 0.03% FS	Insulation Resistance	5000 Megohms
Repeatability	+/- 0.01% FS	Excitation Voltage	10V AC/DC (20V Max)
Creep (30 minutes)	+/- 0.02% FS	Compensated Temperature Range	-10°C - +40°C
Zero Balance	+/- 1.00% FS	Operating Temperature Range	-20°C - +60°C
Temperature Effect on Zero	+/- 0.0027% of rated output/°C	Safe Overload	150% FS
Temperature Effect on Output	+/- 0.0015% of applied load/°C	Cable Length	50' Braided Shield Cable
Cable Color Code	Input	Output	Seal Type
	Green +Excitation	White +Signal	Environmentally-Sealed, IP67
	Black -Excitation	Red -Signal	