

CG-SSB-10

▶ SINGLE-ENDED BEAM

▶ STAINLESS STEEL

CENTRAL CAROLINA SCALE, INC 5393 FARRELL ROAD SANFORD NC 27330 (919) 776-7737

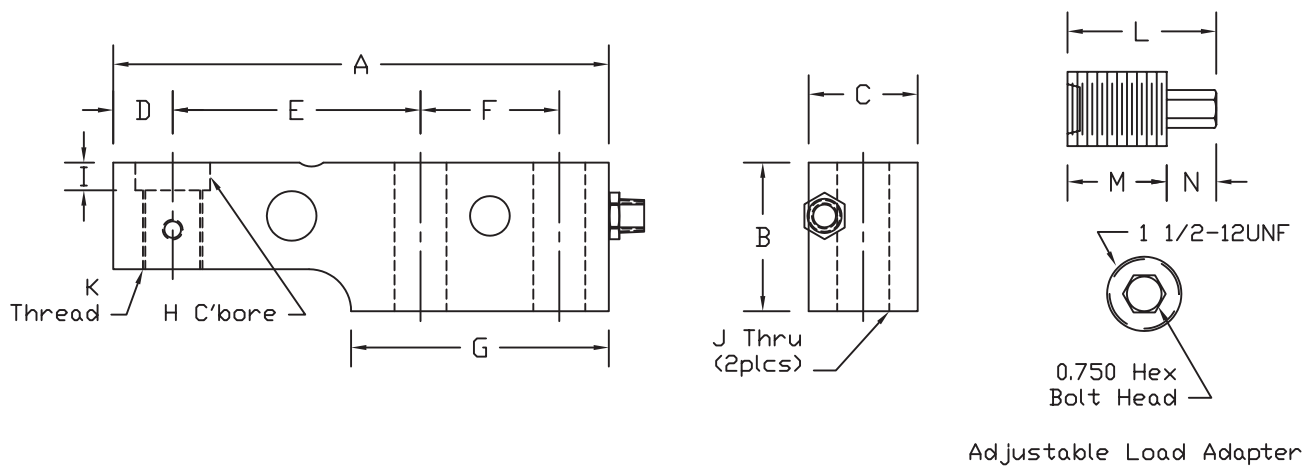


CG-SSB-10 ORDER INFORMATION	DISCOUNT	PRICING	SUGGESTED LIST PRICE
40K			\$1936.00

ACCESSORIES	DISCOUNT	G	SUGGESTED LIST PRICE
658		Adjustable Load Adapter	\$ 100.00

INTERCHANGEABLE PRODUCTS		
HBM.....		SB4

Main Dimensions and Accessories



RATED CAPACITY	DIMENSIONS														
	A	B	C	D	E	F	G	H	I	J	K	L	M	N	
40K	12.50	3.75	2.75	1.50	6.25	3.50	6.50	1.88	0.70	1.31	1-1/2-12UNF	3.00	2.00	1.00	

SPECIFICATIONS

Rated Output (mV/V)	2.00	Input Impedance	1080 +/- 10 ohms	
Nonlinearity	+/- 0.03% FS	Output Impedance	1000 +/- 5 ohms	
Hysteresis	+/- 0.03% FS	Insulation Resistance	5000 Megohms	
Repeatability	+/- 0.01% FS	Excitation Voltage	10V AC/DC (20V Max)	
Creep (30 minutes)	+/- 0.02% FS	Compensated Temperature Range	-10°C - +40°C	
Zero Balance	+/- 1.00% FS	Operating Temperature Range	-20°C - +60°C	
Temperature Effect on Zero	+/- 0.0027% of rated output/°C	Safe Overload	150% FS	
Temperature Effect on Output	+/- 0.0015% of applied load/°C	Cable Length	50' Braided Shield	
Cable Color Code	Input Green +Excitation Black -Excitation	Output White +Signal Red -Signal	Seal Type	Environmentally-Sealed, IP67