

# CG-STR1 SSW

▶ **DOUBLE-ENDED BEAM**

▶ **STAINLESS STEEL**  
Welded-Seal

**CENTRAL CAROLINA SCALE, INC 5393 FARRELL ROAD SANFORD NC 27330 (919) 776-7737**



**CG-STR1 SSW ORDER INFORMATION**      **PRICING**      **SUGGESTED LIST PRICE**

40K	\$1200.00
50K	\$1200.00
* Load Button Included	

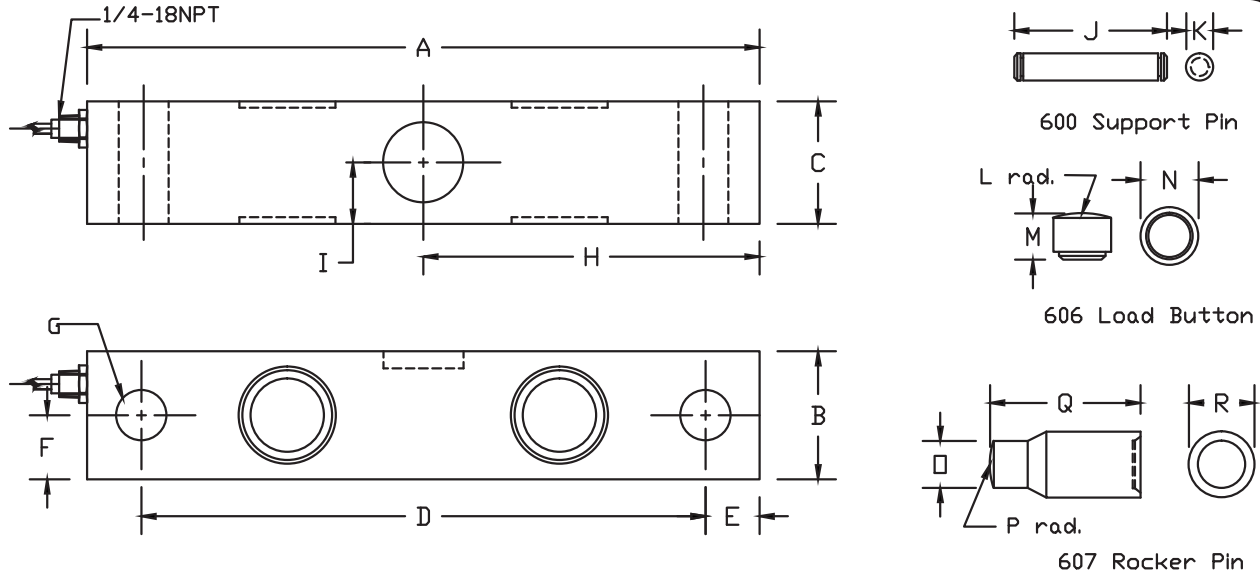
**ACCESSORIES**      **DISCOUNT G**      **SUGGESTED LIST PRICE**

600	Cell Support Pin	\$ 15.00
601	Retaining Ring for Support Pin	\$ .50
606	Load Button	\$ 35.00
607	Rocker Pin	\$ 50.00

**INTERCHANGEABLE PRODUCTS**

Fairbanks .....	91088-50K
Fairbanks .....	90814-40K
Fairbanks .....	Rodan
Sensortronics.....	65061A

Main Dimensions and Accessories



RATED CAPACITY	DIMENSIONS																	
	A	B	C	D	E	F	G	H	I	J	K	L	M	N	P	Q	R	
40K-50K	10.50	2.44	1.94	8.75	0.88	1.22	0.78	5.25	0.97	-	-	-	-	-	-	-	-	
#600 Support Pin	-	-	-	-	-	-	-	-	-	4.25	7.5	-	-	-	-	-	-	
#606 Load Button	-	-	-	-	-	-	-	-	-	-	-	8.00	1.00	1.25	-	-	-	
#607 Rocker Pin	-	-	-	-	-	-	-	-	-	-	-	-	-	-	1.25	8.00	4.00	1.75

▶ **SPECIFICATIONS** ◀

Rated Output (mV/V)	3.00	Input Impedance	700 +/- 10 ohms
Nonlinearity	+/- 0.03% FS	Output Impedance	700 +/- 5 ohms
Hysteresis	+/- 0.02% FS	Insulation Resistance	5000 Megohms
Repeatability	+/- 0.01% FS	Excitation Voltage	10V AC/DC (20V Max)
Creep (30 minutes)	+/- 0.02% FS	Compensated Temperature Range	-10°C - +40°C
Zero Balance	+/- 1.00% FS	Operating Temperature Range	-20°C - +60°C
Temperature Effect on Zero	+/- 0.0027% of rated output/°C	Safe Overload	150% FS
Temperature Effect on Output	+/- 0.0015% of applied load/°C	Cable Length	60' Braided Shield Cable
Cable Color Code	Input                      Output	Seal Type	Welded-Seal, IP67
	Green +Excitation      White +Signal		
	Black -Excitation      Red -Signal		