

CG-TC42 & CG-TC43

TENSION/COMPRESSION
CANISTER

STAINLESS STEEL
Hermetically Sealed

CENTRAL CAROLINA SCALE, INC 5393 FARRELL ROAD SANFORD NC 27330 (919) 776-7737



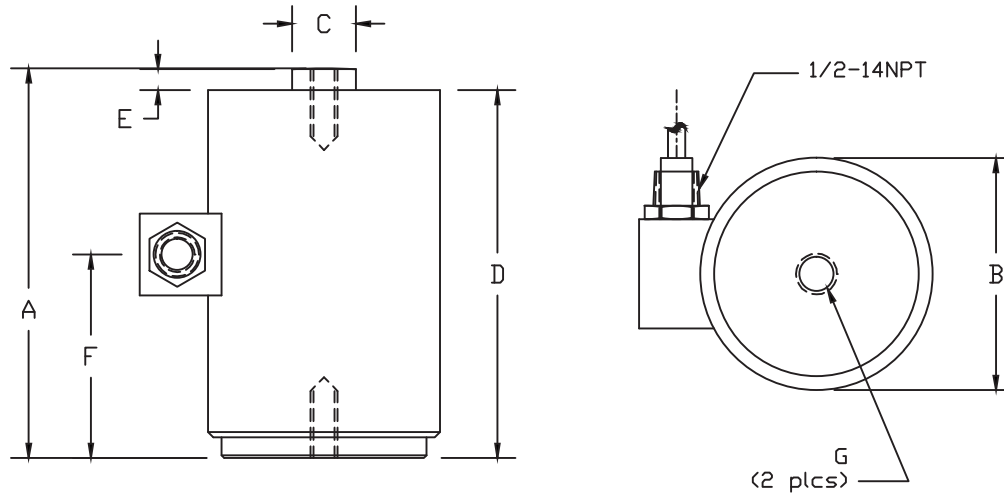
CG-TC42 & CG-TC43 ORDER INFORMATION PRICING SUGGESTED LIST PRICE

5K, 10K	\$1155.00
20K	\$1375.00
50K, 100K	\$1760.00
200K	\$2365.00
250K	\$2365.00

INTERCHANGEABLE PRODUCTS

Artech.....	90510
Revere.....	42U
Totalcomp.....	T42
Artech.....	90515
Revere.....	43U
Totalcomp.....	T43

Main Dimensions and Accessories



RATED CAPACITY	DIMENSIONS									
	A	B	C	D	E	F	G			
5K-10K	5.94	3.50	1.40	5.44	0.44	3.00	1-14UNF x 1.25 deep			
20K	8.50	5.00	2.21	8.00	0.44	4.25	1-1/2-12UNF x 2.00 deep			
50K	11.44	6.50	2.76	10.50	0.81	5.75	1-1/2-12UNF x 2.00 deep			
100K	11.44	6.50	3.29	10.50	0.81	5.75	2-12UNF x 2.25 deep			
200K-250K	16.25	8.00	3.54	14.81	1.31	8.00	2-1/2-12UNF x 2.75 deep			

SPECIFICATIONS

Rated Output (mV/V)	2.00 or 3.00	Input Impedance	385 +/- 10 ohms
Nonlinearity	+/- 0.05% FS	Output Impedance	350 +/- 5 ohms
Hysteresis	+/- 0.03% FS	Insulation Resistance	5000 Megohms
Repeatability	+/- 0.01% FS	Excitation Voltage	10V AC/DC (20V Max)
Creep (30 minutes)	+/- 0.03% FS	Compensated Temperature Range	-10°C - +40°C
Zero Balance	+/- 1.00% FS	Operating Temperature Range	-20°C - +60°C
Temperature Effect on Zero	+/- 0.0027% of rated output/°C	Safe Overload	150% FS
Temperature Effect on Output	+/- 0.0015% of applied load/°C	Cable Length	50' Standard Cable
Cable Color Code	Input Green +Excitation Black -Excitation	Output White +Signal Red -Signal	Seal Type Hermetically Sealed, IP67