

# CG-WB-SS

▶ SINGLE-ENDED BEAM

▶ STAINLESS STEEL

NTEP 1:10,000 Class III Multiple Cell

CENTRAL CAROLINA SCALE, INC 5393 FARRELL ROAD SANFORD NC 27330 (919) 776-7737



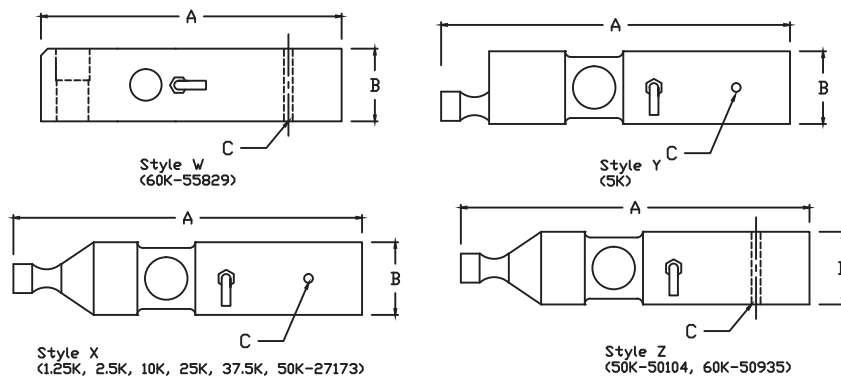
### CG-WB-SS ORDER INFORMATION PRICING<sup>ii</sup> SUGGESTED LIST PRICE

*CG-WB-SS	1.25K	\$ 478.50
CG-WB-SS	2.5K	\$ 478.50
CG-WB-SS	5K	\$ 561.00
CG-WB-SS	10K	\$ 605.00
CG-WB-SS	25K, 37.5K	\$ 907.50
CG-WB-SS-27173	50K	\$1028.50
CG-WB-SS-50104	50K	\$1045.00
CG-WB-SS-50935 WBT	60K	\$1045.00
CG-WB-SS-55829 EZ Post	60K	\$1061.50
*CG-WB-SS	75K	\$1265.00
*NON-NTEP		

### INTERCHANGEABLE PRODUCTS

Rice Lake Weighing Systems.....	RL75000 SS
Weigh-Tronix.....	13498-0127 5K
Weigh-Tronix.....	WBT Series Chainlink Style
Weigh-Tronix.....	Weighbar

Main Dimensions and Accessories



RATED CAPACITY	DIMENSIONS					
	STYLE	A	B	C		
1.25K	X	11.50	1.25	0.31		
2.5K	X	11.50	1.62	0.38		
5K	Y	10.88	2.00	0.38		
10K	X	12.62	2.50	0.38		
25K-37.5K	X	14.88	3.50	0.50		
50K-27173	X	14.88	3.50	0.50		
50K-50104	Z	14.88	3.75	0.50		
60K-50935	Z	14.88	3.75	0.50		
60K-55829	W	15.39	3.75	0.50		
75K	X	18.88	5.00	0.50		

### ← SPECIFICATIONS →

Rated Output (mV/V)	2.00 (3.00 mV/V 37.5K, 50K, 60K, 75K)	Input Impedance	385 +/- 10 ohms
Nonlinearity	+/- 0.03% FS	Output Impedance	350 +/- 3 ohms
Hysteresis	+/- 0.02% FS	Insulation Resistance	5000 Megohms
Repeatability	+/- 0.01% FS	Excitation Voltage	10V AC/DC (20V Max)
Creep (30 minutes)	+/- 0.02% FS	Compensated Temperature Range	-10°C - +40°C
Zero Balance	+/- 1.00% FS	Operating Temperature Range	-20°C - +60°C
Temperature Effect on Zero	+/- 0.0027% of rated output/°C	Safe Overload	150% FS
Temperature Effect on Output	+/- 0.0015% of applied load/°C	Cable Length - 1.25K - 10K	20' Standard Cable
Cable Color Code	Input Green +Excitation Black -Excitation	Output White +Signal Red -Signal	Cable Length - 25K - 75K 50' Braided Shield Cable
		Seal Type	Environmentally-Sealed, IP67