

# CGSB SS

▶ S-BEAM

▶ STAINLESS STEEL

NTEP 1:10,000 Class III, Single Cell

CENTRAL CAROLINA SCALE, INC 5393 FARRELL ROAD SANFORD NC 27330 (919) 776-7737



**CGSB SS ORDER INFORMATION**      PRICING<sup>†</sup> SUGGESTED LIST PRICE

100 lb, 200 lb, 250 lb, 300 lb, 500 lb	\$ 295.00
750 lb, 1000 lb, 1.5 K, 2 K, 2.5K, 3K,	\$ 295.00
5 K	\$ 435.00
10 K	\$ 450.00
*15 K	\$ 550.00
*20 K	\$ 850.00
* Non-NTEP	

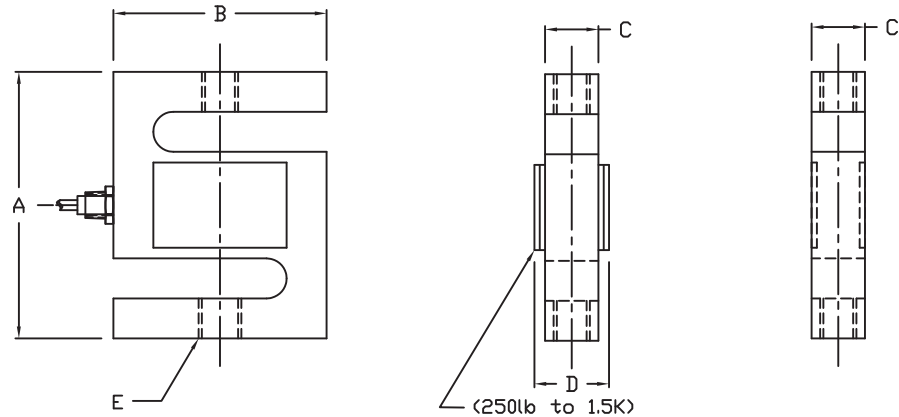
**INTERCHANGEABLE PRODUCTS**

Sensortronics.....	60050
Celtron.....	STC SS

**WEIGH MODULE AVAILABLE**

Coti Global Sensors.....	ITCM
--------------------------	------

Main Dimensions and Accessories



RATED CAPACITY	DIMENSIONS					
	A	B	C	D	E	
100lb-200lb	2.50	2.00	0.50	0.75	1/4-28UNF	
250lb-300lb	3.00	2.00	0.50	0.75	3/8-24UNF	
500lb-1.5K	3.00	2.00	0.75	1.00	1/2-20UNF	
2K-3K	3.00	2.00	1.00	-	1/2-20UNF	
5K	4.25	3.00	1.00	-	3/4-16UNF	
10K	4.75	3.50	1.00	-	3/4-16UNF	
15K	5.50	4.00	1.25	-	1-14UNF	
20K	7.00	5.00	2.00	-	1 1/4-12UNF	

→ SPECIFICATIONS ←

Rated Output (mV/V)	3.00	Input Impedance	385 +/- 10 ohms
Nonlinearity	+/- 0.03% FS	Output Impedance	350 +/- 3 ohms
Hysteresis	+/- 0.02% FS	Insulation Resistance	5000 Megohms
Repeatability	+/- 0.01% FS	Excitation Voltage	10V AC/DC (20V Max)
Creep (30 minutes)	+/- 0.02% FS	Compensated Temperature Range	-10°C - +40°C
Zero Balance	+/- 1.00% FS	Operating Temperature Range	-20°C - +60°C
Temperature Effect on Zero	+/- 0.0027% of rated output/°C	Safe Overload	150% FS
Temperature Effect on Output	+/- 0.0015% of applied load/°C	Cable Length	20' Standard Cable
Cable Color Code	Input                      Output	Seal Type	Environmentally-Sealed, IP67
	Green +Excitation      White +Signal		
	Black -Excitation      Red -Signal		