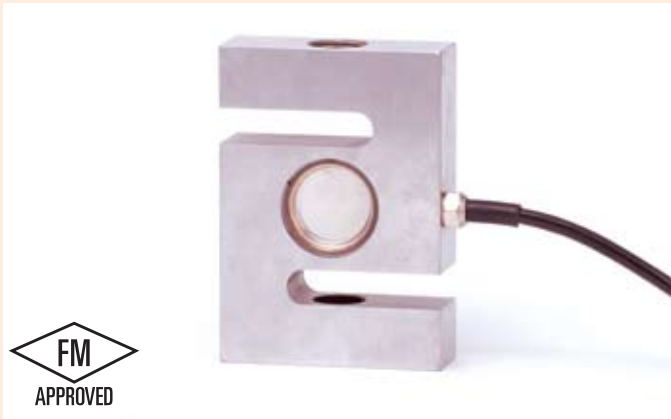


CGSB SSW

▶ S-BEAM

▶ STAINLESS STEEL
Welded Seal

CENTRAL CAROLINA SCALE, INC 5393 FARRELL ROAD SANFORD NC 27330 (919) 776-7737



CGSB SSW ORDER INFORMATION PRICING^g SUGGESTED LIST PRICE

750lb, 1K, 1.5K, 2K, 2.5K, 3K	\$ 465.00
5K	\$ 650.00
10K	\$ 650.00
15K	\$ 850.00
20K	\$ 995.00

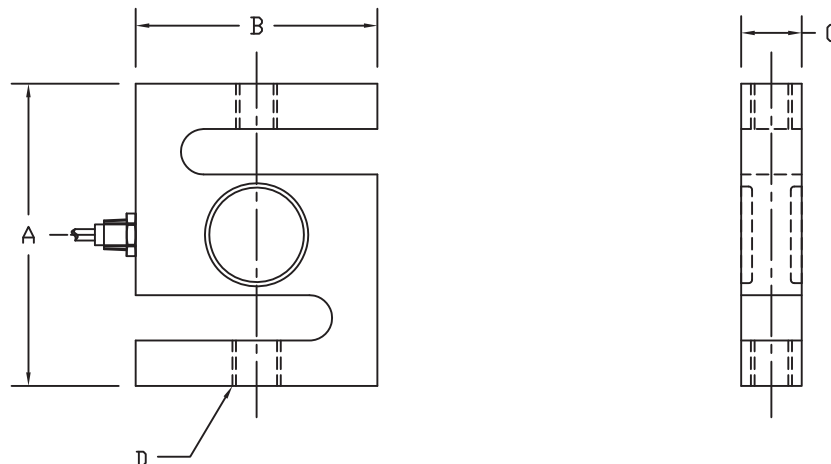
INTERCHANGEABLE PRODUCTS

Rice Lake Weighing Systems.....	RL20001 HE
Sensortronics.....	60063
Celtron.....	STC HSS

WEIGH MODULE AVAILABLE

Coti Global Sensors.....	ITCM
--------------------------	------

Main Dimensions and Accessories



RATED CAPACITY	DIMENSIONS			
	A	B	C	D
750LB-3K	3.00	2.00	1.00	1/2-20UNF
5K	4.25	3.00	1.00	3/4-16UNF
10K	4.75	3.50	1.00	3/4-16UNF
15K	5.50	4.00	1.25	1-14UNF
20K	7.00	5.00	2.00	1-1/4-12UNF

▶ SPECIFICATIONS ◀

Rated Output (mV/V)	2.00	Input Impedance	385 +/- 10 ohms
Nonlinearity	+/- 0.03% FS	Output Impedance	350 +/- 3 ohms
Hysteresis	+/- 0.02% FS	Insulation Resistance	5000 Megohms
Repeatability	+/- 0.01% FS	Excitation Voltage	10V AC/DC (20V Max)
Creep (30 minutes)	+/- 0.02% FS	Compensated Temperature Range	-10°C - +40°C
Zero Balance	+/- 1.00% FS	Operating Temperature Range	-20°C - +60°C
Temperature Effect on Zero	+/- 0.0027% of rated output/°C	Safe Overload	150% FS
Temperature Effect on Output	+/- 0.0015% of applied load/°C	Cable Length	20' Standard Cable
Cable Color Code	Input	Output	Seal Type
	Green +Excitation	White +Signal	Welded-Seal, IP67
	Black -Excitation	Red -Signal	