



HM8



- HM8 load cells are available in the capacities 500kg~50t
- Alloy steel, hermetically welded, oil-proof, waterproof and anti-corrosion, suitable for all kinds of environments
- Single shear beam, easy for installation, suitable for electronic truck scales, track scales, hopper scale and other electronic weighing devices
- Safe and anti-explosive product, can be used in atrocious environments and hazardous areas

Features

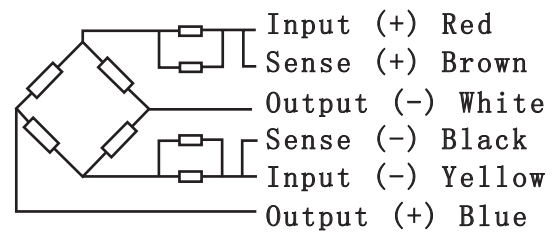
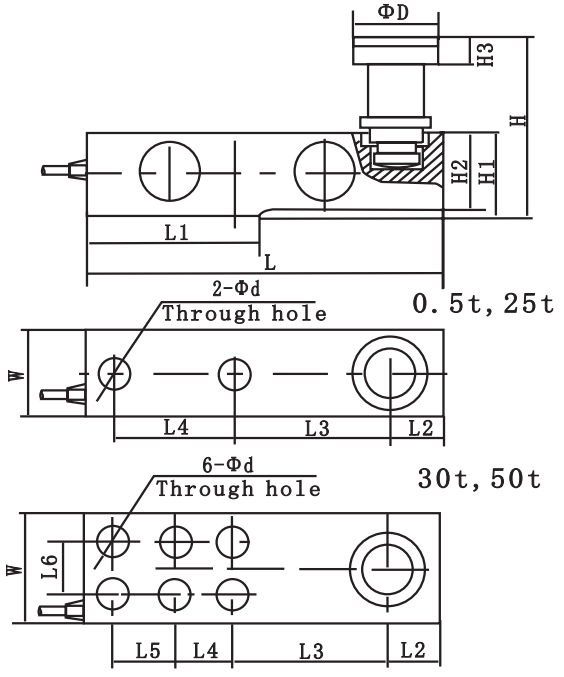
- Capacities: 500kg~50t
- Alloy steel construction
- OIML Cert. No.: R60/2000-NL1-12.14
- High accuracy
- Low profile

Specifications		
Capacity	t	500kg/1/2/2.5/3/5/10/15/20/25/30/50
Accuracy		C3
Maximum Number of Verification Intervals	Nmax	3000
Minimum Number of Verification Intervals	Vmin	E _{max} /10000
Combined Error	(%FS)	≤±0.020
Creep	(%FS/30min)	≤±0.016
Temperature Effect on Sensitivity	(%FS/10°C)	≤±0.011
Temperature Effect on Zero	(%FS/10°C)	≤±0.015
Output Sensitivity	(mV/V)	2.0±0.002
Input Resistance	(Ω)	350±3.5
Output Resistance	(Ω)	352±3.0
Insulation Resistance	(MΩ)	≥5000 (50VDC)
Zero Balance	(%FS)	1.5
Temperature, Compensated	(°C)	-10~+40
Temperature, Operating	(°C)	-35~+70
Excitation, Recommended	(V)	5~12 (DC)
Excitation, Max	(V)	18 (DC)
Safe Overload	(%FS)	150
Ultimate Overload	(%FS)	300

Part Number	Capacity	Ship Weight	Price
HM8-C3-500KG	500KG stainless shear beam	11 lb	\$345
HM8-C3-1.0t	1T stainless shear beam	11 lb	\$345
HM8-C3-2.0t	2T stainless shear beam	13 lb	\$345
HM8-C3-2.5t	2.5T stainless shear beam	13 lb	\$345
HM8-C3-3.0t	3T stainless shear beam	20 lb	\$345
HM8-C3-5.0t	5T stainless shear beam	20 lb	\$360
HM8-C3-10t	10T stainless shear beam	42 lb	\$465
HM8-C3-15t	15T stainless shear beam	42 lb	\$465
HM8-C3-20t	20T stainless shear beam	42 lb	\$545
HM8-C3-25t	25T stainless shear beam	42 lb	\$545
HM8-C3-30t	30T stainless shear beam	57 lb	\$1,100
HM8-C3-50t	50T stainless shear beam		\$1,615



Outline Dimensions mm (inch)														
Dimension	H	H1	H2	H3	ΦD	Φd	W	L	L1	L2	L3	L4	L5	L6
Capacity														
1-2t	57.9 (2.28)	43 (1.69)	37 (1.47)	5 (0.2)	35 (1.38)	13 (0.51)	37 (1.47)	203 (7.99)	95 (3.74)	22 (0.87)	98 (3.86)	64 (2.52)	-	-
2.5t	57.9 (2.28)	43 (1.69)	37 (1.47)	5 (0.2)	35 (1.38)	15 (0.59)	37 (1.47)	203 (7.99)	95 (3.74)	22 (0.87)	98 (3.86)	64 (2.52)	-	-
3t	62.9 (2.48)	43 (1.69)	37 (1.47)	5 (0.2)	35 (1.38)	15 (0.59)	37 (1.47)	203 (7.99)	95 (3.74)	22 (0.87)	98 (3.86)	64 (2.52)	-	-
5t	78.7 (3.1)	52 (2.05)	48 (1.89)	8 (0.31)	42 (1.65)	21 (0.83)	48 (1.89)	235 (9.25)	110 (4.33)	22 (0.87)	124 (4.88)	66 (2.6)	-	-
10t, 15t	127.7 (5.03)	67 (2.64)	60 (2.36)	12 (0.47)	57 (2.24)	28 (1.10)	60 (2.36)	279 (10.98)	133 (5.24)	32 (1.26)	140 (5.51)	82 (3.22)	-	-
20t, 25t	143.5 (5.65)	82.5 (3.25)	70 (2.76)	12 (0.47)	70 (2.76)	34 (1.34)	70 (2.76)	318 (12.52)	153 (6.02)	38 (1.5)	159 (6.26)	89 (3.5)	-	-
30t	174 (6.85)	115 (4.53)	90 (3.54)	18 (0.71)	70 (2.76)	26 (1.02)	96 (3.78)	374 (14.72)	189 (7.44)	44.5 (1.75)	181 (7.13)	76 (2.99)	51 (2.01)	46 (1.81)



Wiring:
 Shielded 6 conductor cable: $\phi 6.2\text{mm}$
 Standard Cable Length: 6m



H8C

- H8C load cells are available in the capacities 1Klb~20Klb; 0.5t~10t
- Alloy steel, sealed by adhesive inside, oil-proof, waterproof and anti-corrosion, suitable for all kinds of environments
- Single shear beam, easy for installation.
- Suitable for electronic platform scales, hopper scales, and other electronic weighing devices
- Safe and anti-explosive product, can be used in atrocious environments and hazardous areas



Features

- Capacities: 1Klb~20Klb; 0.5t~10t
- High accuracy
- Alloy steel construction
- Low profile
- OIML Cert. No.: R60/2000-CN-00.02
- PTB Approval No.: D09-03.19 Revision 2
- NTEP Cert. No.: CC12-028

Accessories

- HD-8-301
- HJ-8-201
- HJ-8-203
- HJ-8-208
- HJ-8-210
- HJ-8-213
- HJ-8-214
- HJ-8-216
- HJ-8-221
- HY-8-102
- HY-8-105
- HM-8-402

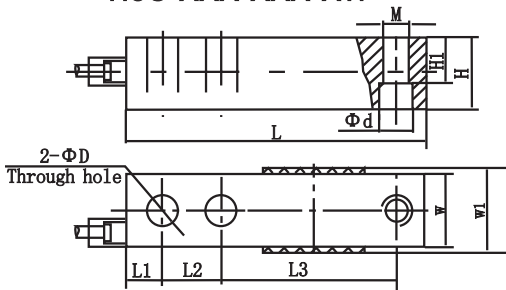
Specifications			
Capacity	t	0.5/1/1.5/2/2.5/3/5/10	
	Klb	1/1.5/2/2.5/3/4/5/5KSE/7.5/10/20	
Accuracy		C3	N5
Approvals		OIML R60 C3	
Maximum Number of Verification Intervals	Nmax	3000	5000
Minimum Number of Verification Intervals	Vmin	E _{max} /10000	E _{max} /5000
Combined Error	(%FS)	≤±0.020	≤±0.020
Creep	(%FS/30min)	≤±0.016	≤±0.020
Temperature Effect on Sensitivity	(%FS/10°C)	≤±0.011	≤±0.017
Temperature Effect on Zero	(%FS/10°C)	≤±0.015	≤±0.020
Output Sensitivity	(mV/V)	2.0±0.002	3.0±0.003
Input Resistance	(Ω)	350±3.5	
Output Resistance	(Ω)	350±3.5	
Insulation Resistance	(MΩ)	≥5000 (50VDC)	
Zero Balance	(%FS)	1.0	
Temperature, Compensated	(°C)	-10~+40	
Temperature, Operating	(°C)	-35~+70	
Excitation, Recommended	(V)	5~12 (DC)	
Excitation, Max	(V)	18 (DC)	
Safe Overload	(%FS)	150	
Ultimate Overload	(%FS)	300	

Part Number	Capacity	Ship Weight	Price
H8C-C3-500KG-4B	500KG alloy shear beam metric	2 lb	\$185
H8C-C3-1.0t-4B	1T alloy shear beam metric	2 lb	\$185
H8C-C3-1.5t-4B	1.5T alloy shear beam metric	2 lb	\$185
H8C-C3-2.0t-4B	2T alloy shear beam metric	2 lb	\$185
H8C-C3-2.5T-4B	2.5T alloy shear beam metric	2 lb	\$220
H8C-C3-3.0t-4B	3T alloy shear beam metric	2 lb	\$220
H8C-C3-5.0t-4B	5T alloy shear beam metric	2 lb	\$220
H8C-C3-10t-4B	10T alloy shear beam metric	2 lb	\$305
H8C-N5-1.0K-6YB	1K alloy shear beam imperial	2 lb	\$185
H8C-N5-1.5K-6YB	1.5K alloy shear beam imperial	2 lb	\$185
H8C-N5-2.0K-6YB	2K alloy shear beam imperial	2 lb	\$185
H8C-N5-2.5K-6YB	2.5K alloy shear beam imperial	2 lb	\$185
H8C-N5-3.0K-6YB	3K alloy shear beam imperial	2 lb	\$185
H8C-N5-4.0K-6YB	4K alloy shear beam imperial	2 lb	\$185
H8C-N5-5KSE-6YB	5K SE alloy shear beam imperial	2 lb	\$185
H8C-N5-5.0K-6YB	5K LE alloy shear beam imperial	2 lb	\$220
H8C-N5-7.5K-6YB	7.5K alloy shear beam imperial	2 lb	\$220
H8C-N5-10K-6YB	10K alloy shear beam imperial	2 lb	\$220
H8C-N5-20K-6YB	20K alloy shear beam imperial	9 lb	\$305

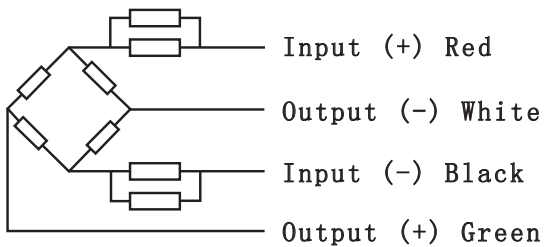
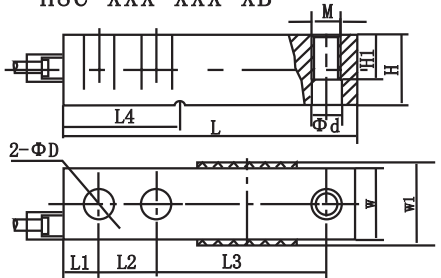
Compatible Products	
Manufacturer	Model
Revere	5123
HBM	B35
Tedea	3420/3421
Celtron	SQB
Sensortronics	65023
Coti	CI-23
Artech	30310
Rice Lake	RL35023/39123
Totalcomp	TSB
Transcell	SBS

Outline Dimensions mm (inch)												
Dimension	L	L1	L2	L3	L4	H	H1	W	W1	D	d	M
Capacity												
0.5~2t	130 (5.12)	15.8 (0.62)	25.4 (1.0)	76.2 (3.0)	54.2 (2.13)	31.8 (1.25)	15.8 (0.62)	31.8 (1.25)	34 (1.34)	13.5 (0.53)	13.5 (0.53)	M12X1.75
1K~4K	130 (5.12)	15.8 (0.62)	25.4 (1.0)	76.2 (3.0)	54.2 (2.13)	31.8 (1.25)	15.8 (0.62)	31.8 (1.25)	34 (1.34)	13.5 (0.53)	13.5 (0.53)	1/2-20UNF
5KSE	130 (5.12)	15.8 (0.62)	25.4 (1.0)	76.2 (3.0)	54.2 (2.13)	31.8 (1.25)	15.8 (0.62)	31.8 (1.25)	34 (1.34)	13.5 (0.53)	13.5 (0.53)	1/2-20UNF
2.5t~5t	171.5 (6.75)	19.1 (0.75)	38.1 (1.5)	95.3 (3.75)	77.2 (3.04)	38.1 (1.5)	18.8 (0.74)	38.1 (1.5)	40 (1.57)	19.8 (0.78)	19.8 (0.78)	M18x1.5
5K~10K	171.5 (6.75)	19.1 (0.75)	38.1 (1.5)	95.3 (3.75)	77.2 (3.04)	38.1 (1.5)	18.8 (0.74)	38.1 (1.5)	40 (1.57)	19.8 (0.78)	19.8 (0.78)	3/4-16UNF
10t	222.3 (8.75)	25.4 (1.0)	50.8 (2.0)	120.7 (4.75)	101.6 (4)	50.8 (2.0)	25.4 (1.0)	50.8 (2)	52.4 (2.06)	26.92 (1.06)	26 (1.02)	M24x2
20K	222.3 (8.75)	25.4 (1.0)	50.8 (2.0)	120.7 (4.75)	101.6 (4)	50.8 (2.0)	25.4 (1.0)	50.8 (2)	52.4 (2.06)	26.92 (1.06)	26 (1.02)	1-12UNF

H8C-XXX-XXX-XW



H8C-XXX-XXX-XB



Wiring:

Shielded 4 conductor cable: ϕ 5mm
 Standard Cable Length: 4m (0.5t~2t); 6m (2.5t~10t, 1Klb~20Klb)
 Note: This product has the stress groove, is not suitable for Australian market. For Australian users please choose H8C-XX-XX-XW.



HM8C

- HM8C load cells are available in the capacities 0.5~10t
- Alloy steel, hermetically welded, oil-proof, waterproof and anti-corrosion, suitable for all kinds of environments
- Single shear beam, easy for installation, suitable for electronic platform scales, hopper scale and other electronic weighing devices
- Safe and anti-explosive product, can be used in atrocious environments and hazardous areas



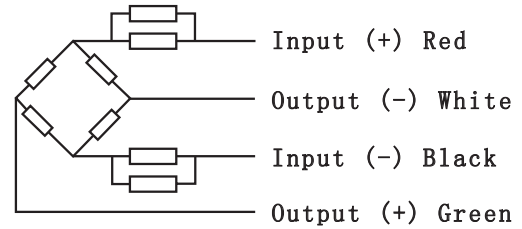
Features

- Capacities: 0.5t~10t
- High accuracy
- Alloy steel construction
- Low profile

Accessories

- HJ-8-201 • HJ-8-213 • HD-8-301 • HY-8-105
- HJ-8-203 • HJ-8-214 • HM-8-402
- HJ-8-204 • HJ-8-215 • HY-8-102
- HJ-8-208 • HJ-8-216 • HY-8-103

Specifications		
Capacity	t	0.5/1/1.5/2/3/5/10
Accuracy		C3
Maximum Number of Verification Intervals	Nmax	3000
Minimum Load Cell Verification Intervals	Vmin	E _{max} /10000
Combined Error	(%FS)	≤±0.020
Creep	(%FS/30min)	≤±0.016
Temperature Effect on Sensitivity	(%FS/10°C)	≤±0.011
Temperature Effect on Zero	(%FS/10°C)	≤±0.015
Output Sensitivity	(mV/V)	2.0±0.004
Input Resistance	(Ω)	350±3.5
Output Resistance	(Ω)	351±2.0
Insulation Resistance	(MΩ)	≥5000 (50VDC)
Zero Balance	(%FS)	1.5
Temperature, Compensated	(°C)	-10~+40
Temperature, Operating	(°C)	-35~+70
Excitation, Recommended	(V)	5~12 (DC)
Excitation, Max	(V)	18 (DC)
Safe Overload	(%FS)	150
Ultimate Overload	(%FS)	300

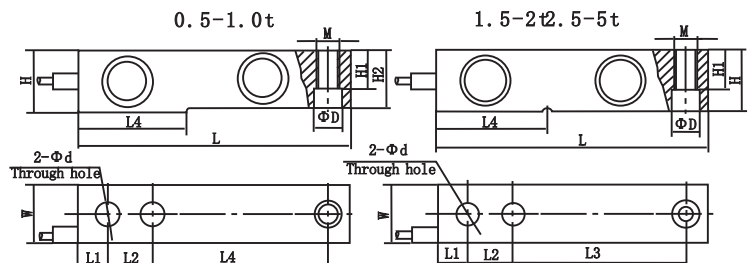


Wiring:

Shielded 4 conductor cable: Φ5mm
Standard Cable Length: 4m (0.5t~2t); 6m (2.5t~10t)

Outline Dimensions mm (inch)												
Dimension	L	L1	L2	L3	L4	H	H1	H2	W	D	d	M
Capacity (t)												
0.5	130 (5.12)	15.8 (0.62)	25.4 (1.0)	76.2 (3.0)	53.7 (2.11)	31.8 (1.25)	15.8 (0.62)	26 (1.02)	31.8 (1.25)	13.5 (0.53)	13.5 (0.53)	M12
1.0	130 (5.12)	15.8 (0.62)	25.4 (1.0)	76.2 (3.0)	53.7 (2.11)	31.8 (1.25)	15.8 (0.62)	28 (1.1)	31.8 (1.25)	13.5 (0.53)	13.5 (0.53)	M12
1.5~2	130 (5.12)	15.8 (0.62)	25.4 (1.0)	76.2 (3.0)	54.2 (2.13)	31.8 (1.25)	15.8 (0.62)	-	31.8 (1.25)	13.5 (0.53)	13.5 (0.53)	M12
2.5	171.5 (6.75)	19.1 (0.75)	38.1 (1.5)	95.3 (3.75)	76.2 (3.0)	38.1 (1.5)	18.8 (0.74)	34 (1.34)	38.1 (1.5)	19.8 (0.78)	19.8 (0.78)	M18x1.5
3~5	171.5 (6.75)	19.1 (0.75)	38.1 (1.5)	95.3 (3.75)	77.2 (3.04)	38.1 (1.5)	18.8 (0.74)	-	38.1 (1.5)	19.8 (0.78)	19.8 (0.78)	M18x1.5

Part Number	Capacity	Ship Weight	Price
HM8C-C3-0.5t-4B	0.5T alloy shear beam	2 lb	\$215
HM8C-C3-1.0t-4B	1T alloy shear beam	2 lb	\$215
HM8C-C3-1.5t-4B	1.5T alloy shear beam	2 lb	\$215
HM8C-C3-2.0t-4B	2T alloy shear beam	2 lb	\$215
HM8C-C3-3.0t-6B	3T alloy shear beam	2 lb	\$245
HM8C-C3-5.0t-6B	5T alloy shear beam	2 lb	\$245
HM8C-C3-10t-6B	10T alloy shear beam	2 lb	\$340





B8D

- B8D load cells are available in the capacities 0.25Klb~20Klb; 0.5t~5t
- Stainless steel construction, potted by adhesive inside, oil proof, waterproof, anti-corrosive gas and medium sized making it suitable for all kinds of environments
- Single shear beam, easy for installation, suitable for electronic truck scales, automobile testing facilities, hopper scales and other electronic weighing devices
- Safe and anti-explosive product, can be used in atrocious environments and hazardous areas



Features

- Capacities: 0.25Klb~20Klb; 0.5t~5t
- High accuracy
- Stainless steel construction
- Low profile
- OIML Cert. No.: R60/2000-NL1-11.28
- NTEP Cert. No.: CC12-022

Accessories

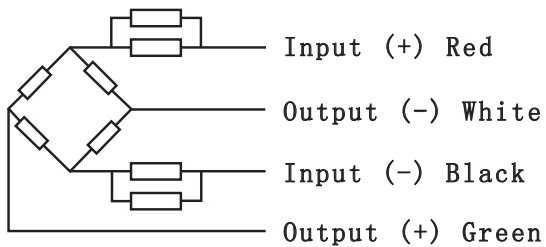
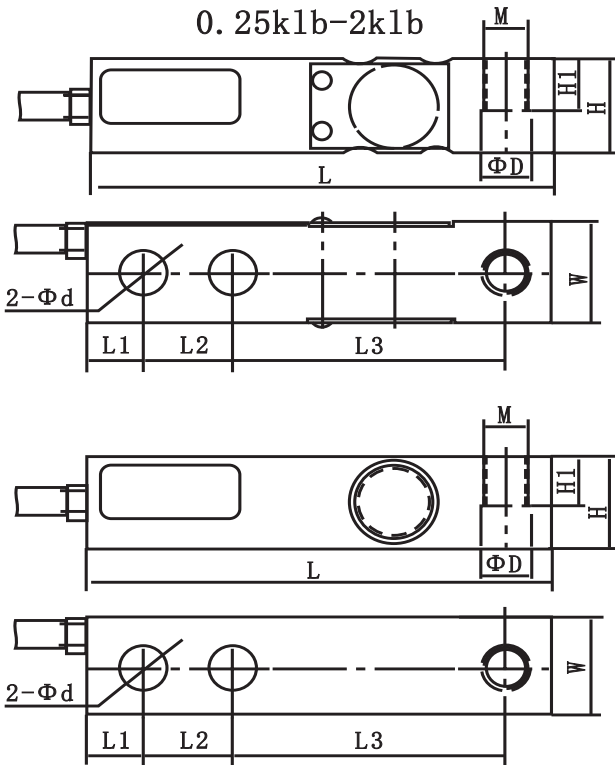
- BJ-8-202
- BJ-8-205
- BJ-8-209
- BJ-8-211
- BJ-8-212
- BJ-8-219
- BJ-8-220
- BJ-8-221
- BM-8-104
- BY-8-104

Specifications			
Capacity	t	0.5/1/2/5	
	Klb	0.25/0.5/0.75/1/1.5/2/2.5/3/4/5/5KSE/7.5/10/15/20	
Accuracy		C3	N5
Approvals		OIML R60 C3	
Maximum Number of Verification Intervals	Nmax	3000	5000
Minimum Number of Verification Intervals	Vmin	Emax/10000	Emax/5000
Combined Error	(%FS)	≤±0.020	≤±0.020
Creep	(%FS/30min)	≤±0.016	≤±0.020
Temperature Effect on Sensitivity	(%FS/10°C)	≤±0.011	≤±0.017
Temperature Effect on Zero	(%FS/10°C)	≤±0.015	≤±0.020
Output Sensitivity	(mV/V)	3.0±0.008	
Input Resistance	(Ω)	350±3.5	
Output Resistance	(Ω)	350±3.5	
Insulation Resistance	(MΩ)	≥5000 (50VDC)	
Zero Balance	(%FS)	1.0	
Temperature, Compensated	(°C)	-10~+40	
Temperature, Operating	(°C)	-35~+70	
Excitation, Recommended	(V)	5~12 (DC)	
Excitation, Max	(V)	18 (DC)	
Safe Overload	(%FS)	150	
Ultimate Overload	(%FS)	300	

Part Number	Capacity	Ship Weight	Price
B8D-C3-500KG-6B	500KG stainless shear beam metric	2 lb	\$305
B8D-C3-1.0t-6B	1T stainless shear beam metric	2 lb	\$305
B8D-C3-2.0t-6B	2T stainless shear beam metric	2 lb	\$305
B8D-C3-5.0t-6B	5T stainless shear beam metric	9 lb	\$370
B8D-N5-250-6YB	200LB stainless shear beam imperial	2 lb	\$320
B8D-N5-500-6YB	500LB stainless shear beam imperial	2 lb	\$320
B8D-N5-750-6YB	750LB stainless shear beam imperial	2 lb	\$320
B8D-N5-1K-6YB	1K stainless shear beam imperial	2 lb	\$305
B8D-N5-1.5K-6YB	1.5K stainless shear beam imperial	2 lb	\$305
B8D-N5-2K-6YB	2K stainless shear beam imperial	2 lb	\$305
B8D-N5-2.5K-6YB	2.5K stainless shear beam imperial	2 lb	\$305
B8D-N5-3K-6YB	3K stainless shear beam imperial	2 lb	\$305
B8D-N5-4K-6YB	4K stainless shear beam imperial	2 lb	\$305
B8D-N5-5KSE-6YB	5K SE stainless shear beam imperial	2 lb	\$305
B8D-N5-5K-6YB	5K LE stainless shear beam imperial	4 lb	\$370
B8D-N5-7.5K-6YB	7.5K stainless shear beam imperial	4 lb	\$370
B8D-N5-10K-6YB	10K stainless shear beam imperial	4 lb	\$370
B8D-N5-15K-6YB	15K stainless shear beam imperial	4 lb	\$385
B8D-N5-20K-6YB	20K stainless shear beam imperial	9 lb	\$599

Compatible Products	
Manufacturer	Model
Revere	M9123
Tedea	3410
Celtron	SQB
Sensortronics	65023

Outline Dimensions mm (inch)										
Dimension	L	L1	L2	L3	d	H	W	D	H1	M
Capacity										
0.25Klb, 0.5Klb, 0.75Klb, 1Klb	130 (5.12)	15.7 (0.62)	25.4 (1.0)	76.2 (3.0)	13.46 (0.52)	30.2 (1.19)	30.7 (1.20)	13.4 (0.53)	16 (0.63)	M12-6H 1/2-20UNF-2B
0.5t, 1t, 2t, 2.5Klb, 3Klb, 4Klb, 5KSE	130 (5.12)	15.7 (0.62)	25.4 (1.0)	76.2 (3.0)	13.4 (0.53)	31.32 (1.23)	31.32 (1.23)	13.4 (0.53)	15.75 (0.62)	M12-6H 1/2-20UNF-2B
3t, 5t 5Klb, 7.5Klb, 10Klb, 15Klb	171 (6.73)	19 (0.75)	38.1 (1.5)	95.2 (3.75)	20.65 (19.81)	36.8 (1.45)	36.8 (1.45)	20.65 (19.81)	17.78 (0.7)	M20x25-6H 3/4-16UNF-2B
20Klb	222.25 (8.75)	25.4 (1.0)	50.8 (2.0)	120.7 (4.75)	26.9 (1.06)	49.5 (1.95)	49.5 (1.95)	27.56 (1.08)	24.78 (0.97)	M24x2-6H 1-12UNF-2B



Wiring:
 Shielded 4 conductor cable: $\phi 5\text{mm}$
 Standard Cable Length: 6m



BM8D

- BM8D load cells are available in the capacities 1Klb~20Klb; 0.5t~10t
- Stainless steel construction, hermetically welded, oil proof, waterproof, anti-corrosive gas and medium sized making it suitable for all kinds of environments
- Single shear beam, easy for installation, suitable for electronic platform scales, electronic truck scales and other electronic weighing devices
- Safe and anti-explosive product, can be used in atrocious environments and hazardous areas



Features

- Capacities: 1Klb~20Klb; 0.5t~10t
- High accuracy
- Stainless steel construction
- Low profile
- OIML Cert. No.: R60/2000-NL1-12.11
- NTEP Cert. No.: 10-056A2

Accessories

- BJ-8-208
- BJ-8-209
- BJ-8-210
- BJ-8-211
- BJ-8-215
- BJ-8-219
- BJ-8-220
- HJ-8-213
- HJ-8-214

Specifications			
Capacity	t	0.5/1/2/2.5/3/5/7.5/10	
	Klb	1/1.5/2/2.5/5/5KSE/7.5/10/15/20	
Accuracy		C3	N5
Maximum Number of Verification Intervals	Nmax	3000	5000
Minimum Number of Verification Intervals	Vmin	Emax/10000	Emax/5000
Combined Error	(%FS)	≤±0.020	≤±0.020
Creep	(%FS/30min)	≤±0.016	≤±0.020
Temperature Effect on Sensitivity	(%FS/10°C)	≤±0.011	≤±0.017
Temperature Effect on Zero	(%FS/10°C)	≤±0.015	≤±0.020
Output Sensitivity	(mV/V)	2.0±0.04	3.0±0.008
Input Resistance	(Ω)	350±3.5	
Output Resistance	(Ω)	350±3.5	
Insulation Resistance	(MΩ)	≥5000 (50VDC)	
Zero Balance	(%FS)	1.0	
Temperature, Compensated	(°C)	-10~+40	
Temperature, Operating	(°C)	-35~+70	
Excitation, Recommended	(V)	5~12 (DC)	
Excitation, Max	(V)	18 (DC)	
Safe Overload	(%FS)	150	
Ultimate Overload	(%FS)	300	

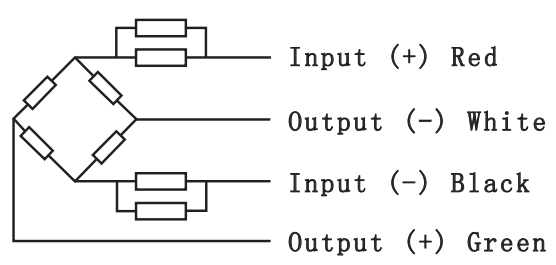
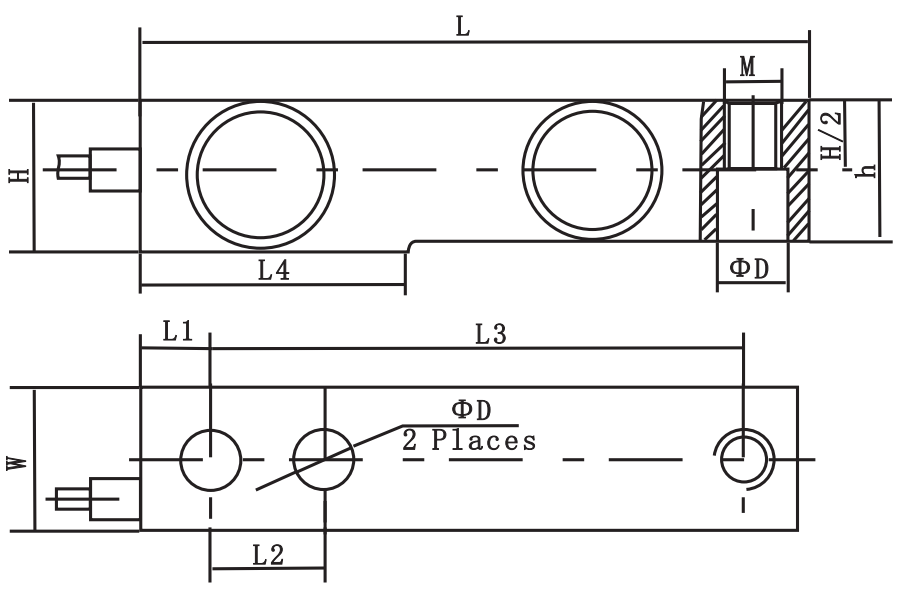
Part Number	Capacity	Ship Weight	Price
BM8D-N5-0.5t	500KG stainless shear beam	2 lb	\$360
BM8D-N5-1t	1T stainless shear beam	2 lb	\$360
BM8D-N5-2t	2T stainless shear beam	2 lb	\$360
BM8D-N5-2.5t	2.5T stainless shear beam	4 lb	\$415
BM8D-N5-3.t	3T stainless shear beam	4 lb	\$415
BM8D-N5-5t	5T stainless shear beam	4 lb	\$415
BM8D-N5-7.5t	7.5T stainless shear beam	9 lb	\$700
BM8D-N5-10t	10T stainless shear beam	9 lb	\$700
BM8D-N5-1K	1K stainless shear beam	2 lb	\$360
BM8D-N5-1.5K	1.5K stainless shear beam	2 lb	\$360
BM8D-N5-2K	2K stainless shear beam	2 lb	\$360
BM8D-N5-2.5K	2.5K stainless shear beam	2 lb	\$360
BM8D-N5-2.5KLE	2.5K LE stainless shear beam	4 lb	\$415
BM8D-N5-5KSE	5K SE stainless shear beam	2 lb	\$360
BM8D-N5-7.5K	7.5K stainless shear beam	4 lb	\$415
BM8D-N5-10K	10K stainless shear beam	4 lb	\$415
BM8D-N5-15K	15K stainless shear beam	9 lb	\$415
BM8D-N5-20K	20K stainless shear beam	9 lb	\$799

Compatible Products

Manufacturer	Model
HBM	H35



Outline Dimensions mm (inch)										
Dimension (mm)	W	D	H	h	L	L1	L3	L3	L4	M
Capacity										
1Klb	30.7	13.5	30.2	24.76 (0.98)	130 (5.12)	15.7 (0.62)	25.4 (1)	101.6 (4)	57.1 (2.25)	1/2-20UNF-2B
1.5Klb, 2Klb	(1.21)	(0.53)	(1.89)	26 (1.024)						
2.5Klb				27 (1.06)						
3Klb~5KlbSE	31.3 (1.23)	13.5 (0.53)	31.3 (1.23)	27.95 (1.10)						
0.5t				24.76 (0.98)						
1t				26 (1.024)						
1.5t~2t				27.95 (1.10)						
5Klb~15Klb	36.8	19.8	36.8	27 (1.06)	171.5 (6.75)	19.1 (0.748)	38.1 (1.5)	133.3 (5.25)	76.2 (3)	3/4-16UNF-2B
2.5t~5t	(1.45)	(0.779)	(1.45)	31.95 (1.26)						M20x2.5
20Klb	49.5	26.9	49.5	40 (1.57)	222.2 (8.75)	25.4 (1)	50.8 (2)	171.5 (6.75)	101.6 (4)	1-12UNF-2B
7.5t~10t	(1.95)	(1.06)	(1.95)							M24x2



Wiring:
 Shielded 4 conductor cable
 Standard Cable Length: 6m



H8H

- H8H load cells are available in the capacities 0.25t~5t
- Alloy steel, sealed by adhesive inside, oil-proof, waterproof and anti-corrosion, suitable for all kinds of environments
- Single shear beam, easy for installation, suitable for electronic truck scales, track scales, hopper scales and other electronic weighing devices
- Safe and anti-explosive product, can be used in atrocious environments and hazardous areas



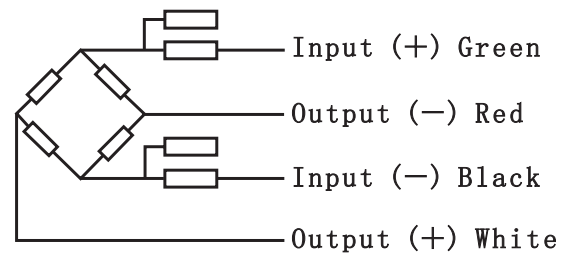
Features

- Capacities: 0.25t~5t
- High accuracy
- Alloy steel construction
- Low profile

Accessories

- HJ-8-217
- HJ-8-218

Specifications		
Capacity	t	0.25/0.5/1/2/5
Accuracy		C3
Maximum Number of Verification Intervals	Nmax	3000
Minimum Load Cell Verification Intervals	Vmin	E _{max} /10000
Combined Error	(%FS)	≤±0.020
Creep	(%FS/30min)	≤±0.016
Temperature Effect on Sensitivity	(%FS/10°C)	≤±0.011
Temperature Effect on Zero	(%FS/10°C)	≤±0.015
Output Sensitivity	(mV/V)	2.0±0.004
Input Resistance	(Ω)	350±3.5
Output Resistance	(Ω)	351±2
Insulation Resistance	(MΩ)	≥5000 (50VDC)
Zero Balance	(%FS)	1.0
Temperature, Compensated	(°C)	-10~+40
Temperature, Operating	(°C)	-35~+70
Excitation, Recommended	(V)	5~12 (DC)
Excitation, Max	(V)	18 (DC)
Safe Overload	(%FS)	150
Ultimate Overload	(%FS)	300

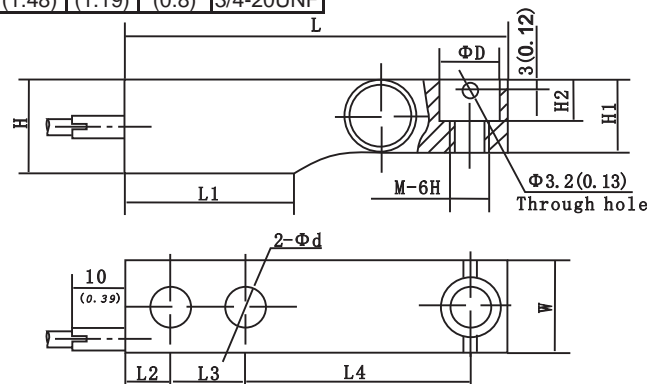


Wiring:

Shielded 4 conductor cable: Φ5±0.2mm; Φ5
Standard Cable Length: 3m (250Kg-1t), 6m (2t-5t)

Outline Dimensions mm (inch)												
Dimension	L	L1	L2	L3	L4	H	H1	H2	W	D	d	M
Capacity (t)												
0.25t	130.0 (5.12)	57 (2.24)	15.5 (0.62)	25.4 (1.0)	76.2 (3.01)	31.8 (1.24)	25.50 (25.32)	14.2 (0.55)	31.8 (1.23)	20.5 (0.81)	13 (0.51)	M12 1/2-20UNF
0.5t	130.0 (5.12)	57.1 (2.25)	15.5 (0.62)	25.4 (1.0)	76.2 (3.0)	31.8 (1.24)	26.0 (1.02)	14.2 (0.55)	31.8 (1.23)	20.5 (0.81)	13 (0.51)	M12 1/2-20UNF
1.0t	130.0 (5.12)	57.1 (2.25)	15.5 (0.62)	25.4 (1.0)	76.2 (3.0)	31.8 (1.24)	27.95 (1.1)	14.2 (0.55)	31.8 (1.23)	20.5 (0.81)	13 (0.51)	M12 1/2-20UNF
2.0t	130.0 (5.12)	57.1 (2.25)	15.5 (0.62)	25.4 (1.0)	76.2 (3.0)	35.9 (1.41)	31.95 (1.26)	14.2 (0.55)	31.8 (1.23)	20.5 (0.81)	13 (0.51)	M12 1/2-20UNF
5.0t	172 (6.71)	76.2 (3.0)	19.1 (0.75)	38.1 (1.5)	95.3 (3.75)	44 (1.72)	40.0 (1.57)	20 (0.78)	38 (1.48)	30.2 (1.19)	20.5 (0.8)	M20 3/4-20UNF

Part Number	Capacity	Ship Weight	Price
H8H-C3-250kg	250KG alloy shear beam	2 lb	\$250
H8H-C3-0.5t	500KG alloy shear beam	2 lb	\$250
H8H-C3-1.0t	1T alloy shear beam	2 lb	\$250
H8H-C3-2.0t	2T alloy shear beam	2 lb	\$250
H8H-C3-5.0t	5T alloy shear beam	2 lb	\$250





BM8H

- BM8H load cells are available in the capacities 1k~10Klb; 0.5t~5t
- Stainless steel construction, hermetically welded, potted by adhesive inside, oil proof, waterproof, anti-corrosive gas and medium sized making it suitable for all kinds of environments
- Single shear beam, easy for installation, suitable for electronic truck scales, track scales, hopper scales and other electronic weighing devices
- Safe and anti-explosive product, can be used in atrocious environments and hazardous areas



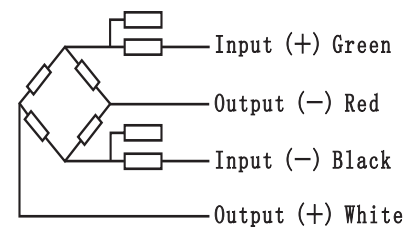
Features

- Capacities: 1K~10Klb; 0.5t~5t
- High accuracy
- Stainless steel construction
- Low profile
- OIML Cert. No.: R60/2000-NL1-12.15
- NTEP Cert. No.: CC10-056A2

Accessories

- BJ-8-206
- BJ-8-207
- BM-8-406

Specifications			
Capacity	t	0.5/1/2/5	
	Klb	1/2.5/4/5/10	
Accuracy		C3	N5
Approvals		OIML R60 C3	
Maximum Number of Verification Intervals	Nmax	3000	5000
Minimum Load Cell Verification Intervals	Vmin	Emax/10000	Emax/5000
Combined Error	(%FS)	≤±0.020	≤±0.020
Creep	(%FS/30min)	≤±0.016	≤±0.020
Temperature Effect on Sensitivity	(%FS/10°C)	≤±0.011	≤±0.017
Temperature Effect on Zero	(%FS/10°C)	≤±0.015	≤±0.020
Output Sensitivity	(mV/V)	2.0±0.002	
Input Resistance	(Ω)	1000±10	
Output Resistance	(Ω)	1000±10	
Insulation Resistance	(MΩ)	≥5000 (50VDC)	
Zero Balance	(%FS)	1.0	
Temperature, Compensated	(°C)	-10~+40	
Temperature, Operating	(°C)	-35~+70	
Excitation, Recommended	(V)	5~12 (DC)	
Excitation, Max	(V)	18 (DC)	
Safe Overload	(%FS)	150	
Ultimate Overload	(%FS)	300	



Wiring:

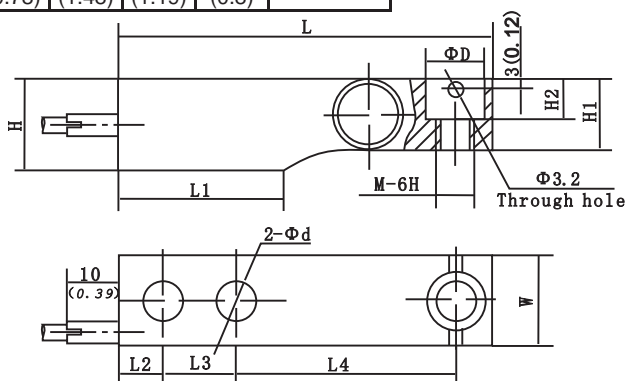
Shielded 4 conductor cable: Φ5±0.2mm; Φ5
Standard Cable Length: 3m (250Kg-1t), 6m (2t-5t)

Compatible Products

Manufacturer	Model
Revere	ACB
HBM	HLC
Celtron	HVC
Sensortronics	65084

Outline Dimensions mm (inch)												
Dimension	L	L1	L2	L3	L4	H	H1	H2	W	D	d	M
Capacity (t)												
500kg (1Klb)	130.0 (5.12)	57.1 (2.25)	15.5 (0.62)	25.4 (1.0)	76.2 (3.0)	31.8 (1.24)	26.0 (1.02)	14.2 (0.55)	31.8 (1.23)	20.5 (0.81)	13 (0.51)	M
1.0t (2Klb, 2.5Klb)	130.0 (5.12)	57.1 (2.25)	15.5 (0.62)	25.4 (1.0)	76.2 (3.0)	31.8 (1.24)	27.95 (1.1)	14.2 (0.55)	31.8 (1.23)	20.5 (0.81)	13 (0.51)	M12
1.5t, 2.0t (4Klb, 5Klb)	130.0 (5.12)	57.1 (2.25)	15.5 (0.62)	25.4 (1.0)	76.2 (3.0)	35.9 (1.41)	31.95 (1.26)	14.2 (0.55)	31.8 (1.23)	20.5 (0.81)	13 (0.51)	M12
5.0t (10Klb)	172 (6.77)	76.2 (3.0)	19.1 (0.75)	38.1 (1.5)	95.3 (3.75)	44 (1.72)	40.0 (1.57)	20 (0.78)	38 (1.48)	30.2 (1.19)	20.5 (0.8)	M20
2.5t, 3t	172 (6.77)	76.2 (3.0)	19.1 (0.75)	38.1 (1.5)	95.3 (3.75)	44 (1.72)	36 (1.42)	20 (0.78)	38 (1.48)	30.2 (1.19)	20.5 (0.8)	M20

Part Number	Capacity	Ship Weight	Price
BM8H-C3-0.5t	500KG stainless shear beam metric	2 lb	\$355
BM8H-C3-1.0t	1T stainless shear beam metric	2 lb	\$355
BM8H-C3-2.0t	2T stainless shear beam metric	2 lb	\$355
BM8H-C3-5.0t	5T stainless shear beam metric	4 lb	\$430
BM8H-N5-1K	1K stainless shear beam imperial	2 lb	\$355
BM8H-N5-2.5K	2.5K stainless shear beam imperial	2 lb	\$355
BM8H-N5-4K	4K stainless shear beam imperial	2 lb	\$355
BM8H-N5-5K	5K stainless shear beam imperial	2 lb	\$355
BM8H-N5-10K	10K stainless shear beam imperial	4 lb	\$430



Load Cells



H8Q

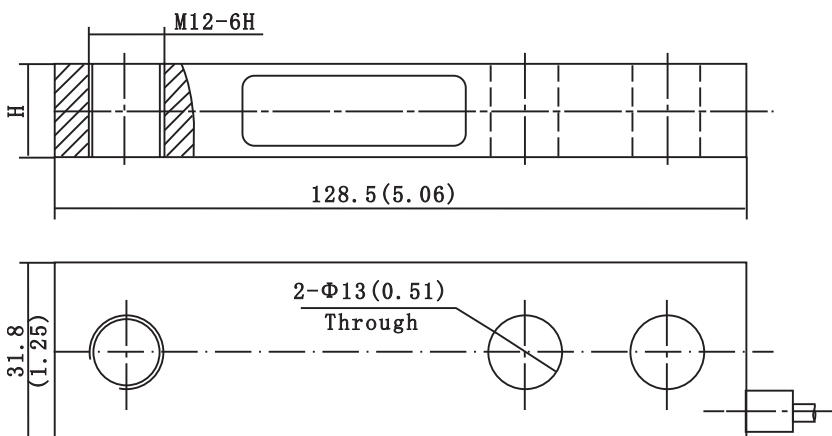
- H8Q load cells are available in the capacities 500kg~2t
- Alloy steel, sealed by adhesive inside, oil-proof, waterproof and anti-corrosion, suitable for all kinds of environments
- Single shear beam, easy for installation, suitable for electronic platform, hopper scales, floor scales and other electronic weighing devices

Features

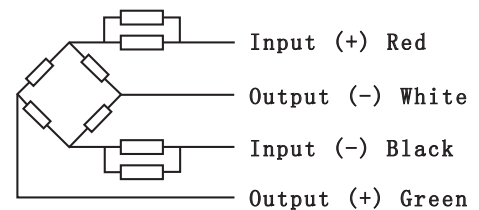
- Capacities: 500KG~2t
- High accuracy
- Alloy steel construction
- Extremely low profile



Specifications		
Capacity	t	0.5/1/2
Accuracy		C3
Maximum Number of Verification Intervals	Nmax	3000
Minimum Load Cell Verification Intervals	Vmin	E _{max} /10000
Combined Error	(%FS)	≤±0.020
Creep	(%FS/30min)	≤±0.016
Temperature Effect on Sensitivity	(%FS/10°C)	≤±0.011
Temperature Effect on Zero	(%FS/10°C)	≤±0.015
Output Sensitivity	(mV/V)	2.0±0.002
Input Resistance	(Ω)	1000±5
Output Resistance	(Ω)	1000±3
Insulation Resistance	(MΩ)	≥5000 (50VDC)
Zero Balance	(%FS)	1.0
Temperature, Compensated	(°C)	-10~+40
Temperature, Operating	(°C)	-35~+70
Excitation, Recommended	(V)	5~12 (DC)
Excitation, Max	(V)	18 (DC)
Safe Overload	(%FS)	150
Ultimate Overload	(%FS)	300



Outline Dimensions mm (inch)			
Capacity	500kg	1t	2t
Dimension			
H	15.9 (0.63)	19.1 (0.75)	25.4 (1.0)



Wiring:

Shielded 4 conductor cable: Φ5mm
Standard Cable Length: 3m

Part Number	Capacity	Ship Weight	Price
H8Q-C3-500Kg-4B	500KG single shear beam	2 lb	\$325
H8Q-C3-1t-4B	1T single shear beam	2 lb	\$325
H8Q-C3-2t-4B	2T single shear beam	2 lb	\$325



B8Q

- B8Q load cells are available in the capacities 500kg~2t
- Stainless steel, sealed by adhesive inside, oil-proof, waterproof and anti-corrosion, suitable for all kinds of environments
- Single shear beam, easy for installation, suitable for electronic platform, hopper scales, floor scales and other electronic weighing devices

Features

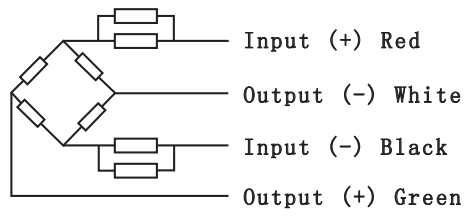
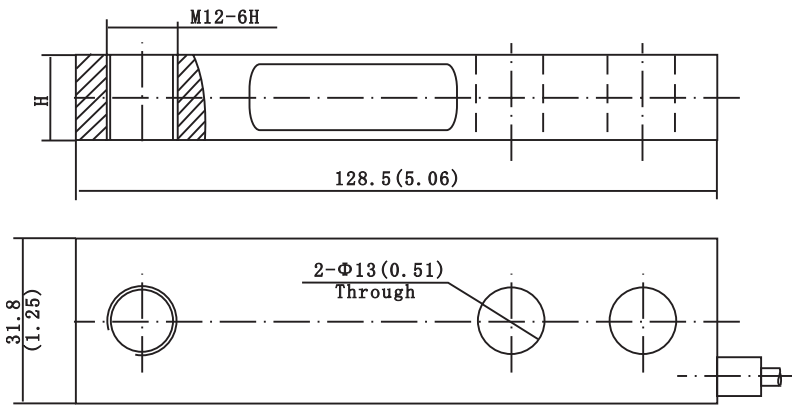
- Capacities: 500KG~2t
- High accuracy
- Stainless steel construction
- Extremely low profile
- OIML Cert. No.: R60/2000-NL1-10.14



Load Cells

Specifications		
Capacity	t	0.5/1/2
Accuracy		C3
Maximum Number of Verification Intervals	Nmax	3000
Minimum Load Cell Verification Intervals	Vmin	Emax/10000
Combined Error	(%FS)	≤±0.020
Creep	(%FS/30min)	≤±0.016
Temperature Effect on Sensitivity	(%FS/10°C)	≤±0.011
Temperature Effect on Zero	(%FS/10°C)	≤±0.015
Output Sensitivity	(mV/V)	2.0±0.002
Input Resistance	(Ω)	1000±5
Output Resistance	(Ω)	1000±3
Insulation Resistance	(MΩ)	≥5000 (50VDC)
Zero Balance	(%FS)	1.0
Temperature, Compensated	(°C)	-10~+40
Temperature, Operating	(°C)	-35~+70
Excitation, Recommended	(V)	5~12 (DC)
Excitation, Max	(V)	18 (DC)
Safe Overload	(%FS)	150
Ultimate Overload	(%FS)	300

Outline Dimensions mm (inch)			
Capacity	500kg	1t	2t
Dimension			
H	15.9 (0.63)	19.1 (0.75)	25.4 (1.0)



Wiring:
Shielded 4 conductor cable: Φ5mm
Standard Cable Length: 3m

Part Number	Capacity	Ship Weight	Price
B8Q-C3-500Kg-4B	500KG single shear beam	2 lb	\$420
B8Q-C3-1t-4B	1T single shear beam	2 lb	\$420
B8Q-C3-2t-4B	2T single shear beam	2 lb	\$420