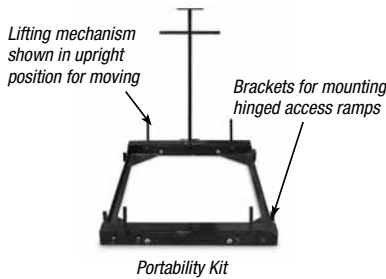


RoughDeck® BDP Barrel Scale – Standard Model with Portability Option



APPROVALS



Measurement Canada Approved



STANDARD FEATURES

- Live siderails
- Top access foot adjustment holes
- Holes are 1/2-13 threaded for lifting scale
- Four adjustable stainless steel SUREFOOT™ support feet
- 30 x 31 in or 36 x 37 in weighing surface (not including side rails)
- TuffSeal® JB4SS Stainless Steel, NEMA 4X junction box with signal trim card

Mild Steel Models

- Treaded top plate
- Alloy steel load cells

Stainless Steel Models

- Smooth top plate
- Stainless steel or stainless steel with welded-seal (IP67) load cells

SPECIFICATIONS

End Load Capacity:

- 1,000 lb: 100% full scale
- 2500 lb: 80% full scale

Cable Length:

10 ft (3 m)

Warranty:

RoughDeck BDP weldment three years, load cells two years, all other components one year

Approvals:

NTEP CC 03-060, Class III 2,500d
 Measurement Canada AM-5578
 (500 kg) Class III 2,500d
 (1000 kg) Class III 2,000d

DIMENSIONS WITH PORTABILITY FRAME AND HINGED ACCESS RAMPS

30 in x 31 in models

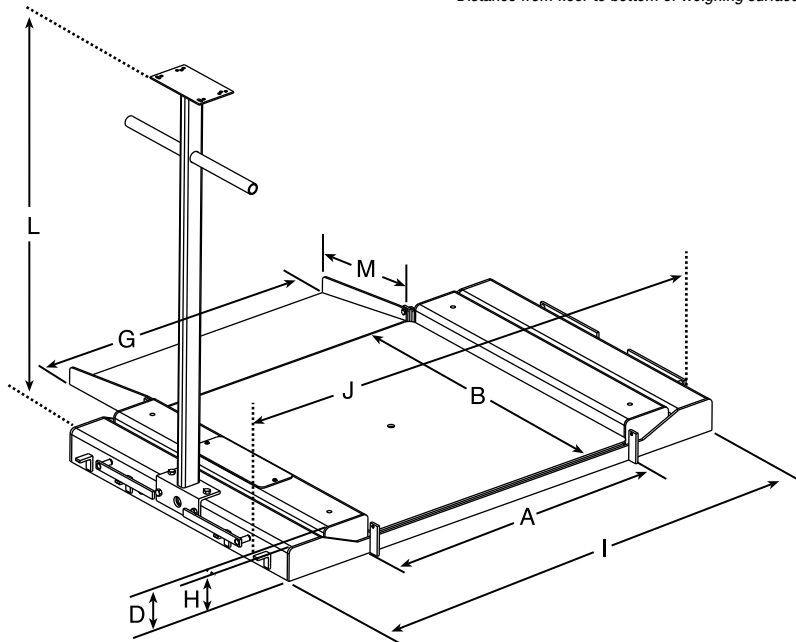
A	30.0 in (762 mm)	I	49.25 in (1250.9 mm)
B	31.0 in (787.4 mm)	J	52.25 in (1327.1 mm)
D	3.66 in (92.9 mm)	L	40.37 in (1025.4 mm)
G	29.25 in (742.9 mm)	M	12.0 in (304.8 mm)
H	3.25 in (82.5 mm)		

36 in x 37 in models

A	36.0 in (914.4 mm)	I	55.25 in (1403.4 mm)
B	37.0 in (939.8 mm)	J	58.25 in (1479.5 mm)
D	3.66 in (92.9 mm)	L	40.37 in (1025.4 mm)
G	35.25 in (895.3 mm)	M	12.0 in (304.8 mm)
H	3.25 in (82.5 mm)		

Distance from floor to top of center weighing surface: 1.94 in (49.2 mm)

Distance from floor to bottom of weighing surface: 0.62 in (15.7 mm)



RoughDeck® BDP Barrel Scale – Standard Model with Portability Option

PART NUMBER/PRICE

PART #	SIZE (W X L)	CAPACITY (CANADIAN APPROVED CAPACITIES)	EST. SHIP WEIGHT	PRICE
BDP Scale				
Mild Steel				
77962	30 x 31 in	1,000 lb (500 kg)	205 lb	Consult
77963	30 x 31 in	2,500 lb (1,000 kg)	205 lb	Consult
77964	36 x 37 in	1,000 lb (500 kg)	265 lb	Consult
77965	36 x 37 in	2,500 lb (1,000 kg)	265 lb	Consult
Stainless Steel				
77967	30 x 31 in	1,000 lb (500 kg)	205 lb	Consult
77968	30 x 31 in	2,500 lb (1,000 kg)	205 lb	Consult
77969	36 x 37 in	1,000 lb (500 kg)	265 lb	Consult
77970	36 x 37 in	2,500 lb (1,000 kg)	265 lb	Consult
Stainless steel with stainless steel welded-seal (IP67) load cells				
77971	30 x 31 in	1,000 lb (500 kg)	205 lb	Consult
77972	30 x 31 in	2,500 lb (1,000 kg)	205 lb	Consult
77973	36 x 37 in	1,000 lb (500 kg)	265 lb	Consult
77974	36 x 37 in	2,500 lb (1,000 kg)	265 lb	Consult
Portability Kits				
Kits include: Frame, Two swivel and two fixed zinc plated steel NSF approved wheels (75 lb max. load capacity), Indicator stand (suitable for IQ plus® 310, 320IS, 320IS plus, IQ plus® 355, IQ plus® 390, 420 plus, IQ plus® 590, IQ 700, 480 Legend, UMC444 and UMC555)				
Mild Steel				
78021	For use with 30 x 31 in scale		90 lb	Consult
78022	For use with 36 x 37 in scale		100 lb	Consult
Stainless Steel				
78023	For use with 30 x 31 in scale		90 lb	Consult
78024	For use with 36 x 37 in scale		100 lb	Consult
Hinged Access Ramps: For use with portability kit				
Mild Steel				
78015	29.25 in x 12 in (sold individually)		25 lb	Consult
78016	35.25 in x 12 in (sold individually)		30 lb	Consult
Stainless Steel				
78017	29.25 in x 12 in (sold individually)		25 lb	Consult
78018	35.25 in x 12 in (sold individually)		30 lb	Consult