

RoughDeck® BDP Barrel Scale – Standard Model



STANDARD FEATURES

- Live siderails
- Top access foot adjustment holes (holes are 1/2-13 threaded for lifting scale)
- Four adjustable stainless steel SUREFOOT™ support feet
- 30 in x 31 in or 36 in x 37 in weighing surface (not including side rails)
- TuffSeal® JB4SS stainless steel, NEMA 4x junction box with signal trim card

Mild Steel Models

- Treaded top plate
- Alloy steel load cells

Stainless Steel Models

- Smooth top plate
- Stainless steel or stainless steel with welded-seal (IP67) load cells

APPROVALS



Measurement
Canada
Approved



SPECIFICATIONS

End Load Capacity:

1000 lb: 100% full scale
2500 lb: 80% full scale

Cable Length:

10 ft (3 m)

Warranty:

RoughDeck BDP weldment three years, load cells two years, all other components one year

Approvals:

NTEP CC 03-060, Class III 2,500d
Measurement Canada AM-5578
(500 kg) Class III 2,500d
(1000 kg) Class III 2,000d

ROUGHDECK BDP WITH ACCESS RAMP DIMENSIONS

30 in x 31 in models

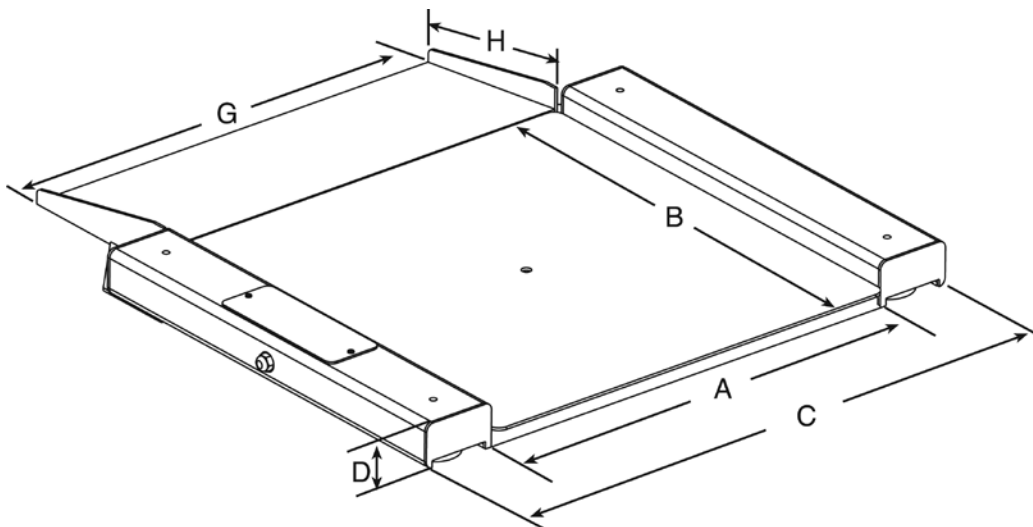
A	30.0 in (762 mm)	D	3.31 in (84.1 mm)
B	31.0 in (787.4 mm)	G	30.0 in (762 mm)
C	40.0 in (1016 mm)	H	12.0 in (304.8 mm)

36 in x 37 in models

A	36.0 in (914.4 mm)	D	3.31 in (84.1 mm)
B	37.0 in (939.8 mm)	G	36.0 in (914.4 mm)
C	46.0 in (1168.4 mm)	H	12.0 in (304.8 mm)

Distance from floor to top of center weighing surface: 1.625 in (41.2 mm)

Distance from floor to bottom of weighing surface: 0.31 in (7.87 mm)



RoughDeck® BDP Barrel Scale – Standard Model**PART NUMBER/PRICE**

PART #	SIZE (W X L)	CAPACITY (CANADIAN APPROVED CAPACITIES)	EST. SHIP WEIGHT	PRICE
NTEP Certified				
Mild Steel				
77962	30 in x 31 in	1,000 lb (500 kg)	205 lb	Consult
77963	30 in x 31 in	2,500 lb (1,000 kg)	205 lb	Consult
77964	36 in x 37 in	1,000 lb (500 kg)	265 lb	Consult
77965	36 in x 37 in	2,500 lb (1,000 kg)	265 lb	Consult
Stainless Steel				
77967	30 in x 31 in	1,000 lb (500 kg)	205 lb	Consult
77968	30 in x 31 in	2,500 lb (1,000 kg)	205 lb	Consult
77969	36 in x 37 in	1,000 lb (500 kg)	265 lb	Consult
77970	36 in x 37 in	2,500 lb (1,000 kg)	265 lb	Consult
Stainless Steel with Stainless Steel Welded-Seal (IP67) Load Cells				
77971	30 in x 31 in	1,000 lb (500 kg)	205 lb	Consult
77972	30 in x 31 in	2,500 lb (1,000 kg)	205 lb	Consult
77973	36 in x 37 in	1,000 lb (500 kg)	265 lb	Consult
77974	36 in x 37 in	2,500 lb (1,000 kg)	265 lb	Consult
Access Ramps				
Mild Steel				
78011	30 in x 12 in (sold individually)		25 lb	Consult
78012	36 in x 12 in (sold individually)		30 lb	Consult
Stainless Steel				
78013	30 in x 12 in (sold individually)		25 lb	Consult
78014	36 in x 12 in (sold individually)		30 lb	Consult

OPTIONS/ACCESSORIES

PART #	DESCRIPTION	PRICE
18777	Floor anchor plates, mild steel, set of two (for use with static scale, without ramps)	Consult
18778	Floor anchor plates, stainless steel, set of two (for use with static scale, without ramps)	Consult
19352	RoughDeck floor stand for indicator, 36.3 in high, mild steel (for use with static scale)	Consult
126384	RoughDeck floor stand for indicator, 48 in high, mild steel	Consult
28740	Floor stand for indicator, 36.3 in high, stainless steel (for use with static scale)	Consult