

## ROADRUNNER™ Jack Point Weighing System



### FEATURES

- $\pm 0.1\%$  of applied load or  $\pm 0.02\%$  of channel capacity, whichever is greater
- 15,000 to 400,000 lbs. capacity
- 1 to 4 channels of input for weighing
- Operates on 10 to 32 Volts DC or 115/230 VAC
- RS-232 for PC Data storage
- Stainless Steel canister and S-type load cells
- Rollaround storage and transportation case

### OPTIONS

- Printer
- External battery charger

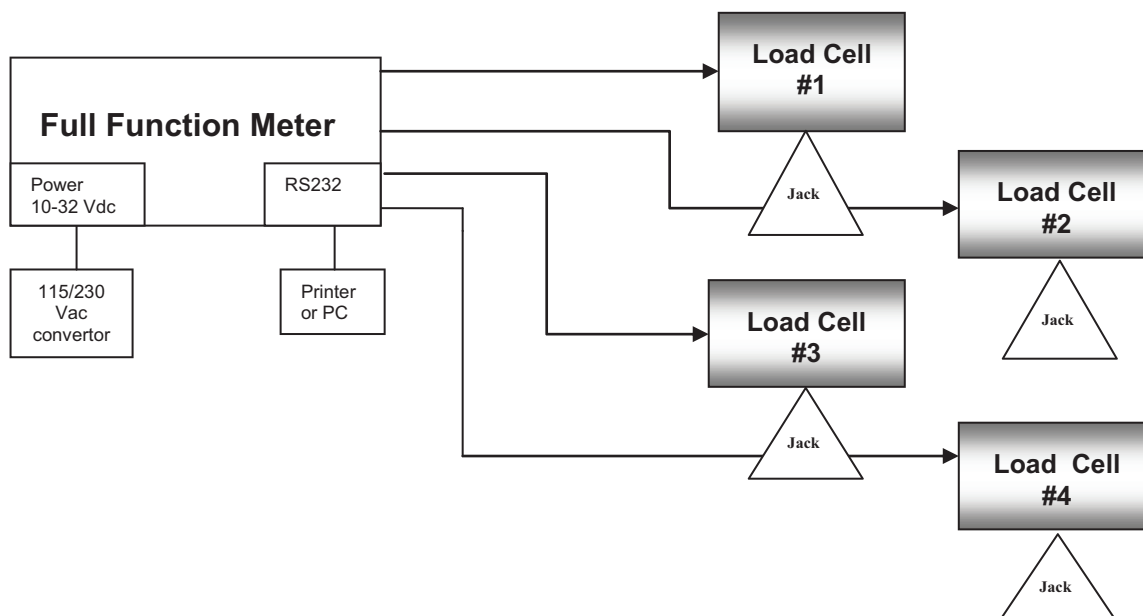
### DESCRIPTION

The Road Runner Jack Point weighing systems are ideal for weighing light aircraft or helicopters after retrofitting new equipment. The easy-to-use full-function indicator provides both individual wheel weight and total aircraft weight. Color-coded cables and indicator connectors make it quick and easy to set up the system and eliminate errors. This system provides easy operation and accurate weights.

### APPLICATIONS

- Aircraft
- Helicopters

### SYSTEM BLOCK DIAGRAM



### ROADRUNNER™ Jack Point Weighing System

<b>SPECIFICATIONS</b>	
<b>PARAMETERS</b>	<b>DESCRIPTION</b>
Accuracy	± 0.1% of applied load or ± 0.02% of channel capacity, whichever is greater
Capacity (GVW)	15,000 to 400,000 lbs
<b>METER</b>	
Digit Size	0.4", 2 Line
Display Type	LCD, 1" x 4"
Display modes	Gross weight, Channel weight, lb. or kg
Divisions	1, 2 or 5 (pounds) 0.5, 1 or 2 (Kg)
Communications	RS232
Number of channels	1 to 4
Operating voltage	10 to 32 Vdc or 115/230 Vac (with external charger)
Operating temperature	14 °F to 120 °F
Size of Meter	9" W x 6" T x 6" Deep

## Disclaimer

ALL PRODUCTS, PRODUCT SPECIFICATIONS AND DATA ARE SUBJECT TO CHANGE WITHOUT NOTICE.

Vishay Precision Group, Inc., its affiliates, agents, and employees, and all persons acting on its or their behalf (collectively, "Vishay Precision Group"), disclaim any and all liability for any errors, inaccuracies or incompleteness contained herein or in any other disclosure relating to any product.

The product specifications do not expand or otherwise modify Vishay Precision Group's terms and conditions of purchase, including but not limited to, the warranty expressed therein.

Vishay Precision Group makes no warranty, representation or guarantee other than as set forth in the terms and conditions of purchase. **To the maximum extent permitted by applicable law, Vishay Precision Group disclaims (i) any and all liability arising out of the application or use of any product, (ii) any and all liability, including without limitation special, consequential or incidental damages, and (iii) any and all implied warranties, including warranties of fitness for particular purpose, non-infringement and merchantability.**

Information provided in datasheets and/or specifications may vary from actual results in different applications and performance may vary over time. Statements regarding the suitability of products for certain types of applications are based on Vishay Precision Group's knowledge of typical requirements that are often placed on Vishay Precision Group products. It is the customer's responsibility to validate that a particular product with the properties described in the product specification is suitable for use in a particular application.

No license, express, implied, or otherwise, to any intellectual property rights is granted by this document, or by any conduct of Vishay Precision Group.

The products shown herein are not designed for use in life-saving or life-sustaining applications unless otherwise expressly indicated. Customers using or selling Vishay Precision Group products not expressly indicated for use in such applications do so entirely at their own risk and agree to fully indemnify Vishay Precision Group for any damages arising or resulting from such use or sale. Please contact authorized Vishay Precision Group personnel to obtain written terms and conditions regarding products designed for such applications.

Product names and markings noted herein may be trademarks of their respective owners.