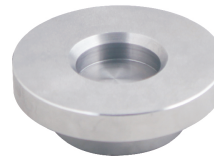


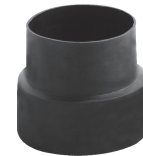
Mounting hardware to be ordered separately.



MB106TS-C1-YZ



MC106TS-C1-YZ



F106TS-2A

DIMENSIONS

RATED CAPACITY	C1	C2	C3	C4	C5	C6	H	H1	H2	H3	H4	L	W	W1	W2
Klb/inches															
50-100	1.48	2.95	3.74	2.44	11.02	0.27	7.88	2.43	9.41	1.25	0.56	3.21	4.13	1.41	0.53
t/mm															
SE30*	37.7	75.0	95.0	62.0	160.0	6.75	150.0	37.0	189.0	31.8	14.3	81.5	105.0	35.7	13.5
30	37.7	75.0	95.0	62.0	280.0	6.75	200.0	61.7	239.0	31.8	14.3	81.5	105.0	35.7	13.5

*SE30t not equipped F106HS-1: Clamp, F106TS-2: Rubber Shield and F106TS-1: Clamp

SPECIFICATIONS

Full Scale Output	2.0 mV/V ± 0.1%	Recommended Excitation	10V (15V Maximum)
Zero Balance	± 0.02 mV/V	Insulation Resistance	>2 [50V DC] GΩ
Non-linearity	< ± 0.030%	Compensated Temperature Range	-10°C to 50°C / 14°F to 122°F
Repeatability	< ± 0.017%	Safe Overload	150% of full scale
Hysteresis Error	< ± 0.017%	Breaking Overload	300% of full scale
Creep in 30 min.	< ± 0.020%	Seal Type / IP Rating	Welded Seal / IP68
Input Resistance	1150Ω ± 50	Cable Color Code	Exc+ Red Exc- Black Sig+ Green Sig- White Shield Bare
Output Resistance	1000Ω ± 5		
Element Material	2Cr13 Stainless Steel		

PART NUMBER*

Load Cell	Rated Capacity	Part No.	Weight (kg) Approx.
50Klb.....	50Klb	106TS-50Klb-YZ	4.2
100Klb.....	100Klb	106TS-100Klb-YZ	4.4
SE30t.....	SE30t	106TS-SE30t-YZ	3.7
30t.....	30t	106TS-30t-YZ	5.8

*ATEX, FM, IECEx approved versions carry the "-Ex" suffix.

Mounting Kits*

Load Cell Capacity	Part No.	Weight (kg) Approx.
SE30t, 30t, 50Klb, 100Klb.....	106TS-PARTS-C1	-

*Mounting kits 106TS-PARTS-C1: include
1 mounting cap (MC106TS-C1-YZ), 1 x mounting base (MB106TS-C1-YZ),
1 x rubber shield (F106TS-2A), 2 clamps (1 x CLAMS4-1-90, 1 x CLAMS4-1-110)

Rated Capacity	Part Number	INTERCHANGEABLE REFERENCE	
		Coti-Global	Mettler-Toledo
50Klb	106TS-50Klb-YZ		Powercell 760/MTX*
100Klb	106TS-100Klb-YZ		Powercell 760/MTX*
SE30t	106TS-SE30t-YZ	CG-26S7-30t	0782, 30t
30t	106TS-30t-YZ	CG-26S7-30t-797	Powercell 760/MTX*

* Powercell 760 and MTX are digital load cells.



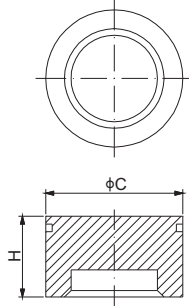
NTEP 1:10 000 Class IIIIL, Multiple Cell

OIML MAA C3, Y=16 000

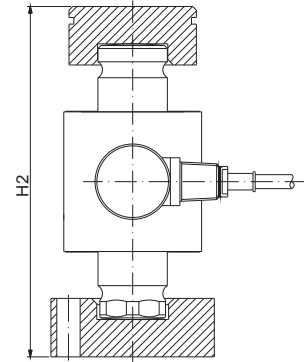
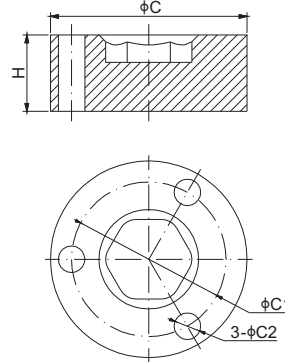
For applications that need to replace Mettler Toledo Powercell PDX (SLC820) 30t, you have options too: Order mounting variation A or B with 106TS-SE30t-YZ.

Mounting variation A:

Mounting Cap: MC106TS-A1-YZ



Mounting Base: MB106TS-A1-YZ



PART NUMBER	RATED CAPACITY	DIMENSIONS							
		C	C1	C2	H	H1	H2	L	W
	t/mm								
MC106TS-A1-YZ	30	69.3	-	-	31.8	-	190.6	-	-
MB106TS-A1-YZ	30	88.9	69.9	12.7	31.8	-	190.6	-	-
	Kilb/inches (conversion of above dimensions)								
MC106TS-A1-YZ	66.14	2.73	-	-	1.25	-	7.5	-	-
MB106TS-A1-YZ	66.14	3.50	2.75	0.50	1.25	-	7.5	-	-

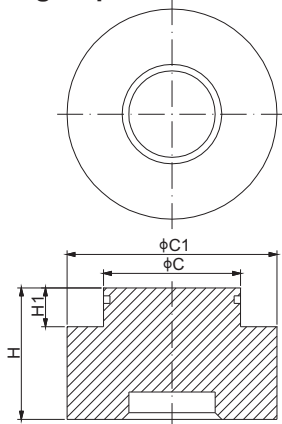
Mounting kits:

106TS-PARTS-A1:

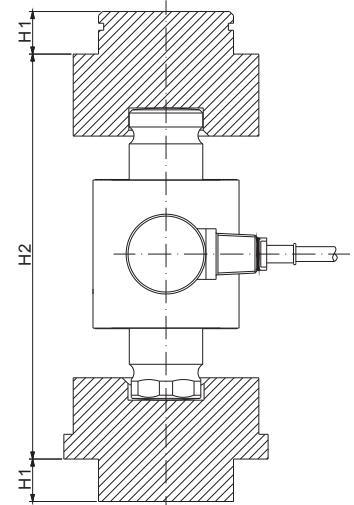
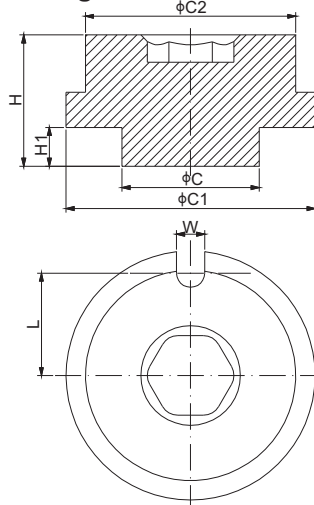
Include 1 mounting cap (MC106TS-A1-YZ), 1 x mounting base (MB106TS-A1-YZ), 1 x rubber shield (F106TS-2A), 2 x clamps (1 x F106TS-1, 1 x F106HS-1)

Mounting variation B:

Mounting Cap: MC106TS-B1-YZ



Mounting Base: MB106TS-B1-YZ



PART NUMBER	RATED CAPACITY	DIMENSIONS							
		C	C1	C2	H	H1	H2	L	W
	t/mm								
MC106TS-B1-YZ	30	69.3	95.3	-	63.5	21.8	207.9	-	-
MB106TS-B1-YZ	30	69.3	104.9	95.3	63.5	21.8	207.9	46.2	12.7
	Kilb/inches (conversion of above dimensions)								
MC106TS-B1-YZ	66.14	2.73	3.75	-	2.50	0.86	8.19	-	-
MB106TS-B1-YZ	66.14	2.73	4.13	3.75	2.50	0.86	8.19	1.82	0.50

Mounting kits:

106TS-PARTS-B1:

Include 1 mounting cap (MC106TS-B1-YZ), 1 x mounting base (MB106TS-B1-YZ), 1 x rubber shield (F106TS-2A), 2 x clamps (1 x F106TS-1, 1 x F106HS-1)